

# 2018 BOTTLE RANGE



### WHO IS CHANDLER?

Chandler Glass & Packaging (CGP) was established in 2007 to coordinate, quality control and supply wine bottles to wine producers in the United States and New Zealand.

Currently, CGP coordinates the production and supply of 100+ million wine bottles per annum for wineries in New Zealand, Australia and the United States and is the largest supplier of imported wine bottles to New Zealand.

We have developed and own a proven & reliable range of BVS mouth bottles, Sparkling and cork mouth bottles — of varying weights, form and design. We set out to lift the consistency of wine bottle quality within the markets that we operate — especially around the controls for the BVS mouth finish and label panels. In doing so, we feel we have helped to improve the general standard of bottles within these markets and therefore elevated the quality expectations of our clients.

Chandler Glass and Packaging Pty Ltd (Chandler) was established in Australia to provide an alternative, reliable source of wine bottles, as well as a greater range of options. Our aim is to provide great service and competitive pricing to Australian winemakers, without compromising bottle performance or visual quality.

### WHAT CHANDLER DOES

Our team of on-line quality control personnel operate 24 hours, 7 days a week, monitoring output on every production line at our manufacturer's facilities. We measure and inspect our production against well-established quality control points before the bottles are packed, eliminating the non-conformance risks commonly associated with imported glass.

Meanwhile, our experienced domestic-based team work closely with you to make sure you receive your required products in full, at competitive prices, as and when required.

### PALLET CONFIGURATION

To suit the requirements of many Australian bottlers, the majority of Chandler's bottles are fully palletised on to Australian sized, low-rise pallets. However, for those clients who have flexible de-palletising systems, we can produce to supply bottles on international sized pallets (1.0 x 1.2m) and in doing so, pass on cost savings.



### WHAT ELSE DOES CHANDLER GLASS & PACKAGING OFFER?

Whilst we focus on delivering a competitively priced standard range of mid to heavy weight Premium BVS bottles, our other capabilities lie in the production and delivery of:-

- Premium and Super Premium (heavy) cork mouth bottles
- Bottles no longer readily available — including many cork mouth models phased out by other bottle producers
- Permanent decorations applied at source — screen printed and decal
- Embossing & Debossing logos
- Bespoke bottle design

New bottle designs, customised emboss/deboss logos or decorated bottles — order requirements are delivered via a disciplined and deliberate design and sign-off approval process, which includes:-

- Final technical drawings and packaging specifications
- Quality control parameters and tolerances (dual language)
- Pre-production sampling (for all new bottles or decoration designs)

# BESPOKE WINE BOTTLES



\*

PROPRIETARY OR  
SPECIAL SURFACE



BESPOKE FORM + SIDE  
DEBOSS BELT WITH  
EMBOSSSED TEXT



SHOULDER EMBOSS TO  
STANDARD FORM



HEEL DEBOSSSED BELT +  
EMBOSSSED TEXT

# WINE BOTTLE DECORATIONS



\*

MULTI-COLOUR  
SCREEN PRINT



SCREEN PRINT WRAP +  
HOT-FOIL STAMP



SCREEN PRINT +  
HOT-FOIL STAMP



\*

HOT TRANSFER FOIL  
& MULTI-COLOUR  
DECORATION



## BURGUNDY BVS RANGE



Burgundy  
Legere



Burgundy  
Legere



Burgundy  
Legere

CR404



Burgundy  
Export



Burgundy  
Export

CR403



Burgundy  
Premier

CR408



Burgundy  
Traditional

CR403



Burgundy  
Avignon

CR401



Burgundy  
Avignon



Burgundy  
Sextant

CR409



Burgundy  
Passion

CR407

## BURGUNDY CORK RANGE



Burgundy  
Alba

CR40028



Burgundy  
Prestige Magnum

CR4021



Burgundy  
Magnum Prestige



Burgundy  
Luca

CR418



Burgundy  
Traditional C

CR416



Burgundy  
Dali

CR427



Burgundy  
Lola

CR419



Burgundy  
Mercure

CR426

## FLUTE RANGE



Flute Primo



Flute Primo

CR302

## SPARKLING RANGE



Sparkling  
Carbeco

CR987



Sparkling  
Beaumont

CR958



Sparkling  
Gallivant

CR989



Sparkling  
Brut

CR983

## BORDEAUX BVS RANGE



Bordeaux  
Svelte



Bordeaux  
Svelte



Bordeaux  
Svelte

CR501



Bordeaux  
Premium Export



Bordeaux  
Premium Export

CR507



Bordeaux  
Transition



Bordeaux  
Transition

CR504



Bordeaux  
Superior

CR5105



Bordeaux  
Premium

CR508



Bordeaux  
Premium



Bordeaux  
Vimone

CR506

## BORDEAUX CORK RANGE



Bordeaux  
Elite

CR509



Bordeaux  
Resolute



Bordeaux  
Resolute

CR5011



Bordeaux  
Traditional C

CR516



Bordeaux  
Futura

CR5125



Bordeaux  
Medoc

CR518



Bordeaux  
Stratus

CR527



Bordeaux  
Elite C

CR519



Bordeaux  
Emperor

CR529



Bordeaux  
Repent

CR5212

# WINE BOTTLE RANGE: BOTTLING SEASON 2018



ANTIQUE (ANT)

FRENCH GREEN (FG)

FLINT (FLT)

AVAILABLE	CODE	DESCRIPTION	VOL ml	COLOUR(S)	MOUTH	WEIGHT	HEIGHT	DIAMETER	PLT LOAD
<b>BURGUNDY BVS</b>									
Std ANT, FG, FLT	CR404	BURGUNDY LEGERE	750	ANT, FLT, FG	BVS 30 x 60	420g	297mm	80mm	1,771
MTO	CR403	BURGUNDY EXPORT	750	ANT, FG	BVS 30 x 60	480g	298mm	80mm	1,771
Std ANT	CR408	BURGUNDY PREMIER	750	ANT	BVS 30 x 60	555g	296mm	85.8mm	1,554
MTO	CR401	BURGUNDY TRADITIONAL	750	ANT, FG	BVS 30 x 60	555g	298mm	81.5mm	1,729
MTO	CR4015	BURGUNDY AVIGNON	750	ANT, FLT	BVS 30 x 60	590g	300mm	87.4 / 80.8mm	1,449
MTO	CR409	BURGUNDY SEXTANT	750	ANT	BVS 30 x 60	615g	295mm	86.2mm	1,512
MTO	CR407	BURGUNDY PASSION	750	ANT	BVS 30 x 60	800g	299mm	88mm	1,505
MTO	CR40028	BURGUNDY ALBA	750	ANT	BVS 31.5 x 60	820g	306mm	86.2mm	1,512
Std ANT, FLT	CR4021	BURGUNDY PRESTIGE MAGNUM*	1500	ANT, FLT	BVS 30 x 60	880g	345mm	106mm	822
<b>BORDEAUX BVS</b>									
MTO	CR501	BORDEAUX SVELTE	750	ANT, FLT, FG	BVS 30 x 60	415g	295mm	75.2mm	2,002
Std ANT, FLT	CR507	BORDEAUX PREMIUM EXPORT	750	ANT, FLT	BVS 30 x 60	510g	310mm	75.4mm	2,002
MTO	CR504	BORDEAUX TRANSITION	750	ANT, FLT	BVS 30 x 60	540g	300mm	76.3mm	2,002
MTO	CR5015	BORDEAUX SUPERIOR*	1000	ANT, FLT	BVS 30 x 60	550g	317mm	84.5mm	1,368
ANT, FLT	CR508	BORDEAUX PREMIUM	750	ANT, FLT	BVS 30 x 60	580g	310mm	76.2mm	2,002
MTO	CR506	BORDEAUX VIMONE	750	ANT	BVS 30 x 60	670g	304mm	82.3 / 75mm	1,666
MTO	CR509	BORDEAUX ELITE*	750	ANT	BVS 30 x 60	695g	329mm	77.6 / 72mm	1,668
ANT, FLT	CR5011	BORDEAUX RESOLUTE*	750	ANT, FLT	BVS 30 x 60	695g	329mm	75mm	1,728
<b>HOCK / FLUTE BVS</b>									
Std ANT, FLT	CR302	FLUTE PRIMO*	750	ANT, FLT	BVS 30 x 60	320g	329mm	75.3mm	1,716

SEE CORK RANGE ON NEXT PAGE.

Std = batch produced – standard range  
 MTO = made to order. These bottles are not held as inventory at the factory. They are only made if combined client orders reach the MOQ of 300,000 bottles. When reached, the lead-time for this category of bottle is an additional 8 weeks.

Please enquire to find out more. [adam@chandler.co](mailto:adam@chandler.co)

## Pallet Configuration

To suit the requirements of many Australian bottlers, the majority of Chandler's bottles are fully palletised on to Australian sized, low-rise pallets — based on 3 + 4 layers using plastic inter-layers, unless otherwise stated.

\* Based on 3 + 3 layers using cardboard layer boards.

However, for those clients who have flexible de-palletising systems, we can produce to supply bottles on international sized pallets (1.0 x 1.2m) and in doing so, pass on cost savings.

# WINE BOTTLE RANGE: BOTTLING SEASON 2018



AVAILABLE	CODE	DESCRIPTION	VOL ml	COLOUR(S)	MOUTH	WEIGHT	HEIGHT	DIAMETER	PLT LOAD
<b>SPARKLING</b>									
MTO	CR982	SPARKLING CARBECO	750	ANT	Champagne cork	680g	299mm	84.6mm	1,568
Std ANT	CR988	SPARKLING BEAUMONT	750	ANT	Champagne cork	795g	300mm	86.5mm	1,519
Std ANT	CR989	SPARKLING GALLIVANT	750	ANT	Champagne cork	800g	304mm	85.5mm	1,554
MTO	CR983	SPARKLING BRUT	750	ANT	Champagne cork	880g	279mm	95.5mm	1,260
<b>BURGUNDY CORK MOUTH</b>									
MTO	CR418	BURGUNDY LUCA V	750	ANT	CORK 29	512g	295mm	84.7mm	1,582
MTO	CR416	BURGUNDY TRADITIONAL C	750	ANT	CORK 29	525g	296mm	81mm	1,771
MTO	CR427	BURGUNDY DALI	750	ANT	CORK CAREÉ 31.5	600g	296mm	82.4mm	1,729
MTO	CR419	BURGUNDY LOLA	750	ANT	CORK 29	640g	295mm	88mm	1,505
MTO	CR426	BURGUNDY MERCURE	750	ANT	CORK CAREÉ 33	870g	305mm	88.2mm	1,435
<b>BORDEAUX CORK MOUTH</b>									
MTO	CR516	BORDEAUX TRADITIONAL C	750	ANT	CORK 29	540g	301.6mm	76.5mm	2,002
MTO	CR5125	BORDEAUX FUTURA	1000	ANT, FLT	CORK 29	595g	325mm	83.7mm	1,422
MTO	CR518	BORDEAUX MEDOC	750	ANT	CORK 29	665g	306.5mm	82.5 / 74.5mm	1,729
MTO	CR527	BORDEAUX STRATUS	750	ANT	CORK CAREÉ 31.5	695g	310mm	77.3mm	1,981
MTO	CR519	BORDEAUX ELITE C*	750	ANT	CORK 29	695g	329.5mm	77.9 / 71.9mm	1,560
MTO	CR529	BORDEAUX EMPEROR	750	ANT	CORK CAREÉ 31.5	990g	312mm	86.3 / 77.6mm	1,554
MTO	CR5212	BORDEAUX REPENT*	750	ANT	CORK CAREÉ 32	1200g	325mm	87.6 / 80.3mm	1,290

There are as many as 15 additional Cork mouth bottles available.

Std = batch produced – standard range

MTO = made to order. These bottles are not held as inventory at the factory. They are only made if combined client orders reach the MOQ of 300,000 bottles. When reached, the lead-time for this category of bottle is an additional 8 weeks.

Please enquire to find out more. [adam@chandler.co](mailto:adam@chandler.co)

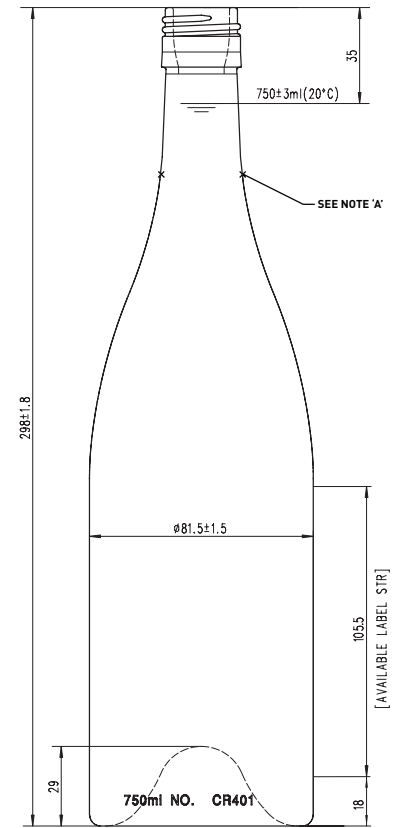
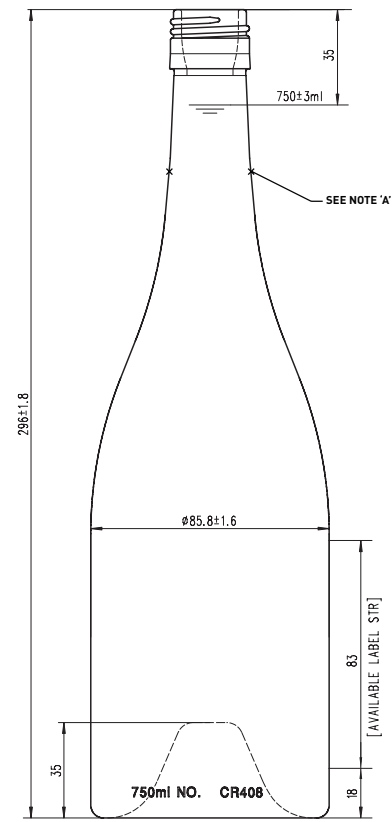
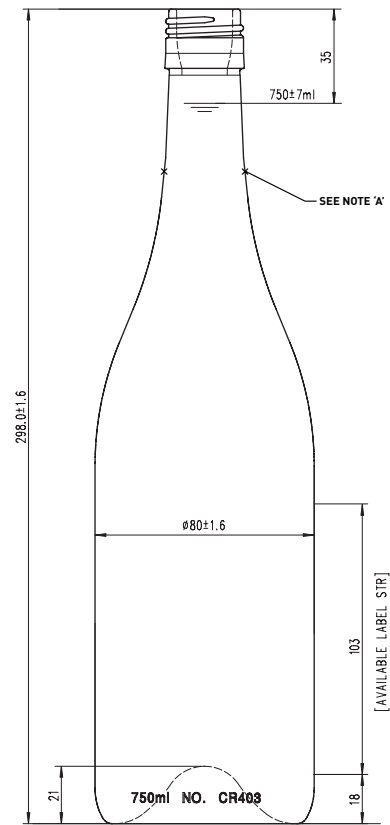
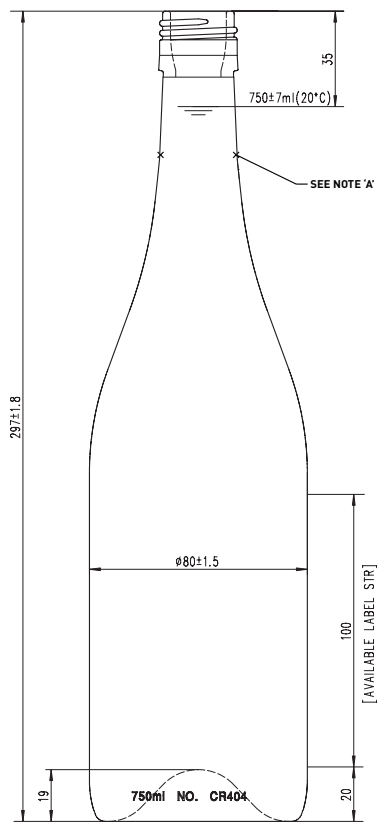
## Pallet Configuration

To suit the requirements of many Australian bottlers, the majority of Chandler's bottles are fully palletised on to Australian sized, low-rise pallets — based on 3 + 4 layers using plastic inter-layers, unless otherwise stated.

\* Based on 3 + 3 layers using cardboard layer boards.

However, for those clients who have flexible de-palletising systems, we can produce to supply bottles on international sized pallets (1.0 x 1.2m) and in doing so, pass on cost savings.





## Burgundy LEGERE

<b>Product Code:</b>	CR404
<b>Mouth Finish:</b>	BVS 30 x 60
<b>Diameter:</b>	80mm ± 1.6mm
<b>Height:</b>	297mm ± 1.8mm
<b>Label Panel:</b>	100mm
<b>Punt Depth:</b>	19mm
<b>Weight:</b>	420g
<b>75cl Fill Point:</b>	35mm
<b>Pallet Load:</b>	1,771
<b>Layers:</b>	7 (3 + 4)

## Burgundy EXPORT

<b>Product Code:</b>	CR403
<b>Mouth Finish:</b>	BVS 30 x 60
<b>Diameter:</b>	80mm ± 1.6mm
<b>Height:</b>	298mm ± 1.6mm
<b>Label Panel:</b>	103mm
<b>Punt Depth:</b>	21mm
<b>Weight:</b>	480g
<b>75cl Fill Point:</b>	35mm
<b>Pallet Load:</b>	1,771
<b>Layers:</b>	7 (3 + 4)

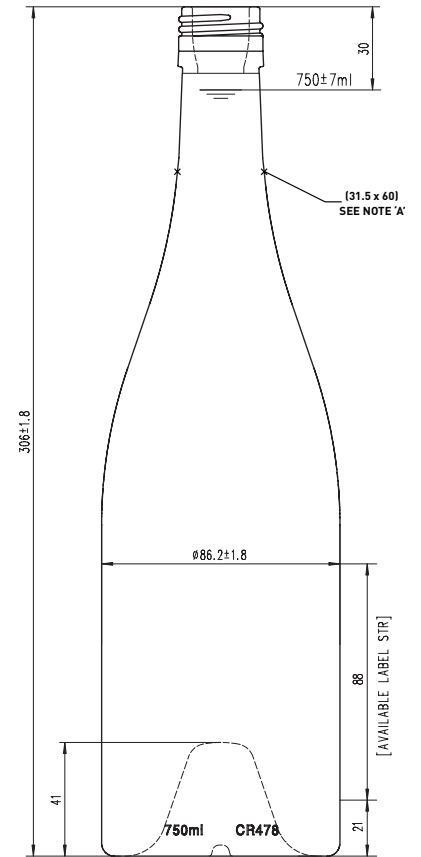
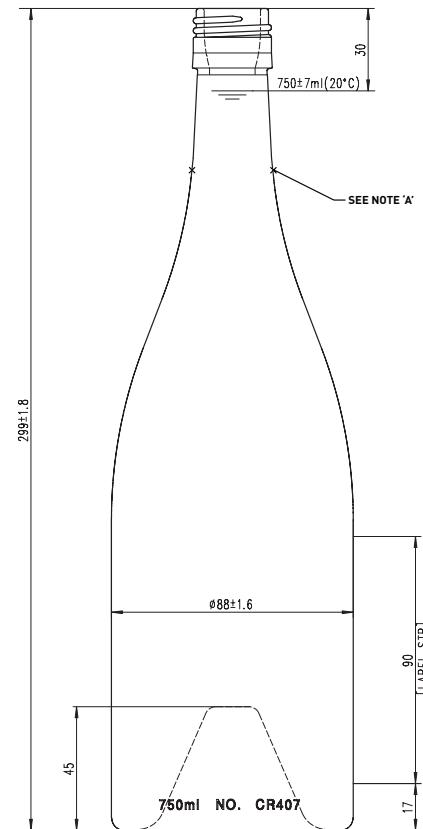
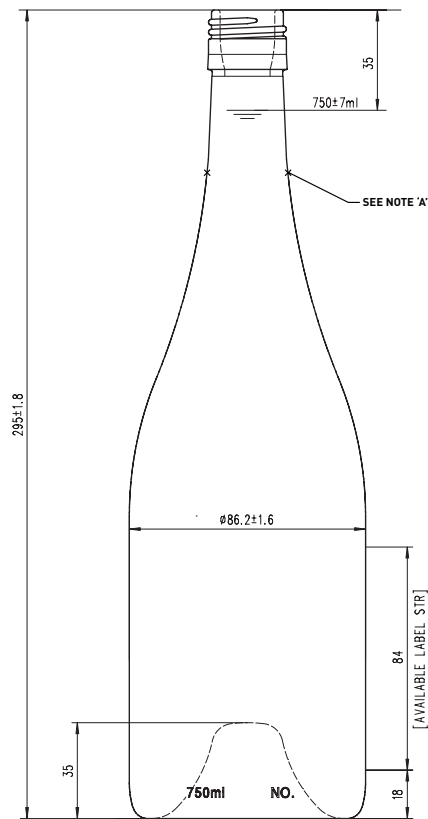
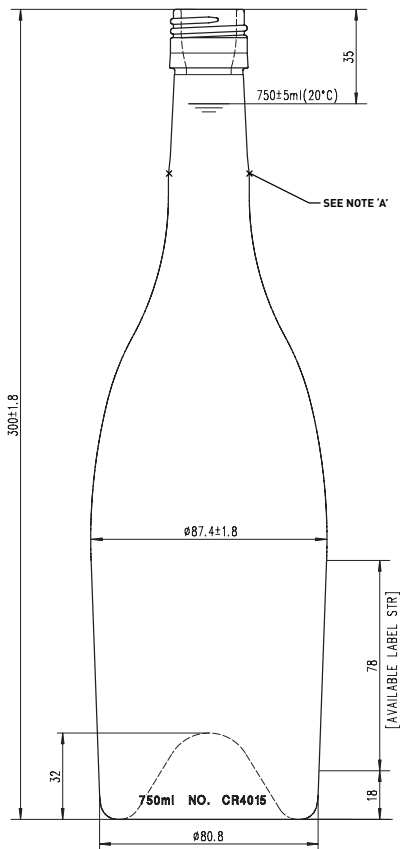
## Burgundy PREMIER

<b>Product Code:</b>	CR408
<b>Mouth Finish:</b>	BVS 30 x 60
<b>Diameter:</b>	85.8mm ± 1.6mm
<b>Height:</b>	296mm ± 1.8mm
<b>Label Panel:</b>	83mm
<b>Punt Depth:</b>	35mm
<b>Weight:</b>	555g
<b>75cl Fill Point:</b>	35mm
<b>Pallet Load:</b>	1,554
<b>Layers:</b>	7 (3 + 4)

## Burgundy TRADITIONAL

<b>Product Code:</b>	CR401
<b>Mouth Finish:</b>	BVS 30 x 60
<b>Diameter:</b>	81.5mm ± 1.5mm
<b>Height:</b>	298mm ± 1.8mm
<b>Label Panel:</b>	105.5mm
<b>Punt Depth:</b>	29mm
<b>Weight:</b>	555g
<b>75cl Fill Point:</b>	35mm
<b>Pallet Load:</b>	1,729
<b>Layers:</b>	7 (3 + 4)

# 75cl BURGUNDY 2



## Burgundy AVIGNON

Product Code:	CR4015
Mouth Finish:	BVS 30 x 60
Diameter:	87.4 / 80.8mm
Height:	300mm ± 1.8mm
Label Panel:	78mm
Punt Depth:	32mm
Weight:	590g
75cl Fill Point:	35mm
Pallet Load:	1,449
Layers:	7 (3 + 4)

## Burgundy SEXTANT

Product Code:	CR409
Mouth Finish:	BVS 30 x 60
Diameter:	86.2mm ± 1.6mm
Height:	295mm ± 1.8mm
Label Panel:	84mm
Punt Depth:	35mm
Weight:	615g
75cl Fill Point:	35mm
Pallet Load:	1,512
Layers:	7 (3 + 4)

## Burgundy PASSION

Product Code:	CR407
Mouth Finish:	BVS 30 x 60
Diameter:	88.0mm ± 1.6mm
Height:	299mm ± 1.8mm
Label Panel:	90mm
Punt Depth:	45mm
Weight:	800g
75cl Fill Point:	30mm
Pallet Load:	1,505
Layers:	7 (3 + 4)

## Burgundy ALBA

Product Code:	CR40028
Mouth Finish:	BVS 31.5 x 60
Diameter:	86.2mm ± 1.8mm
Height:	306mm ± 1.8mm
Label Panel:	88mm (Ø4.5mm heel)
Punt Depth:	41mm
Weight:	820g
150cl Fill Point:	30mm
Pallet Load:	1,512
Layers:	7 (3 + 4)

NOTE A: CONTROLLED NECK & MOUTH REFER TO: DIMENSIONAL SPECIFICATIONS FOR BVS GLASS MOUTH FINISH – Norm: EN16293

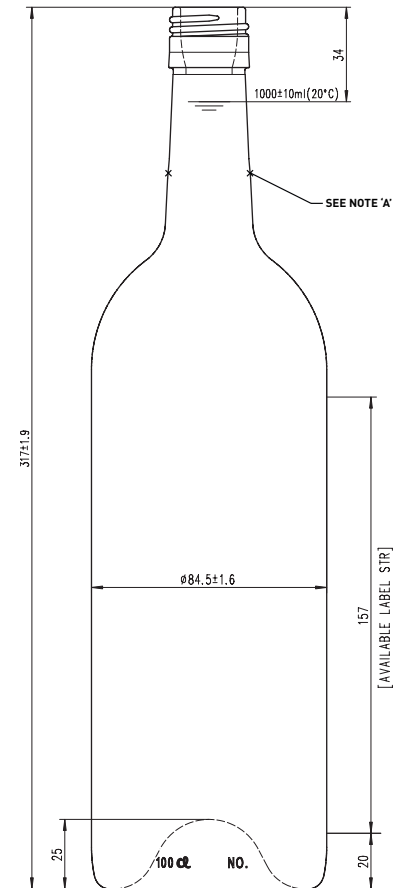
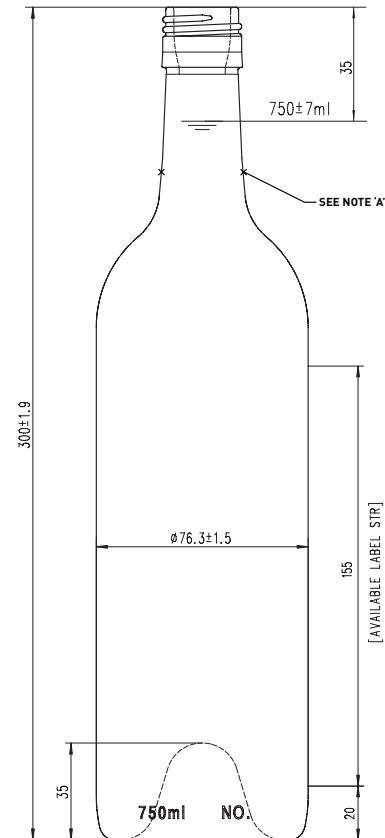
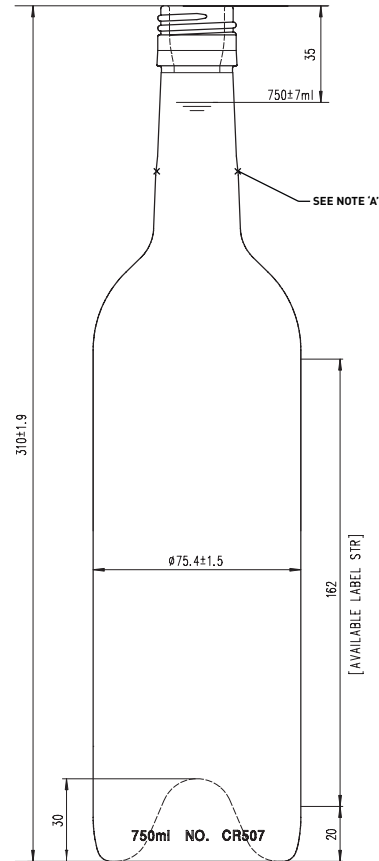
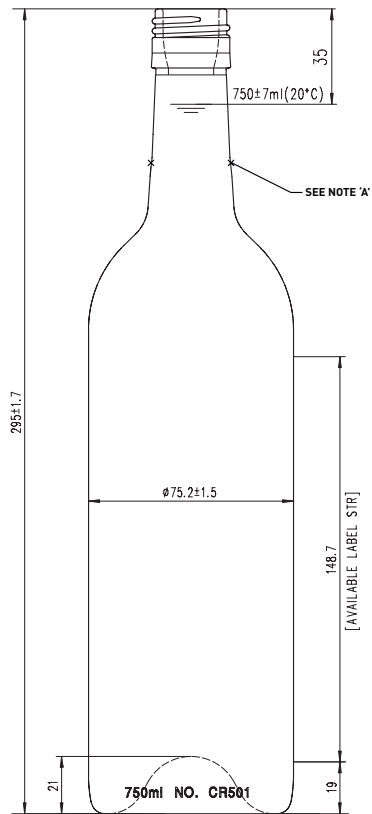
# 75cl BURGUNDY<sup>3</sup>



## Burgundy PRESTIGE (Magnum)

<b>Product Code:</b>	CR4021
<b>Mouth Finish:</b>	BVS 30 x 60
<b>Diameter:</b>	106.55mm ± 1.8mm
<b>Height:</b>	345mm ± 1.8mm
<b>Label Panel:</b>	114.8mm
<b>Punt Depth:</b>	36mm
<b>Weight:</b>	880g ± 30g
<b>150cl Fill Point:</b>	45mm
<b>Pallet Load:</b>	822
<b>Layers:</b>	6 (3 + 3)

# 75cl BORDEAUX<sup>1</sup>



## Bordeaux SVELTE

<b>Product Code:</b>	CR501
<b>Mouth Finish:</b>	BVS 30 x 60
<b>Diameter:</b>	75.2mm ± 1.5mm
<b>Height:</b>	295mm ± 1.7mm
<b>Label Panel:</b>	148.7mm
<b>Punt Depth:</b>	21mm
<b>Weight:</b>	415g
<b>75cl Fill Point:</b>	35mm
<b>Pallet Load:</b>	2,002
<b>Layers:</b>	7 (3 + 4)

## Bordeaux PREMIUM EXPORT

<b>Product Code:</b>	CR507
<b>Mouth Finish:</b>	BVS 30 x 60
<b>Diameter:</b>	75.4mm ± 1.5mm
<b>Height:</b>	310mm ± 1.9mm
<b>Label Panel:</b>	162mm
<b>Punt Depth:</b>	30mm
<b>Weight:</b>	510g
<b>75cl Fill Point:</b>	35mm
<b>Pallet Load:</b>	2,002
<b>Layers:</b>	7 (3 + 4)

## Bordeaux TRANSITION

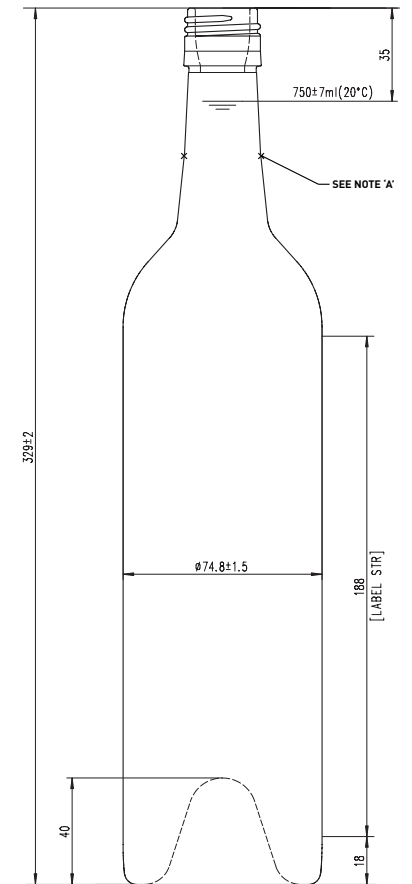
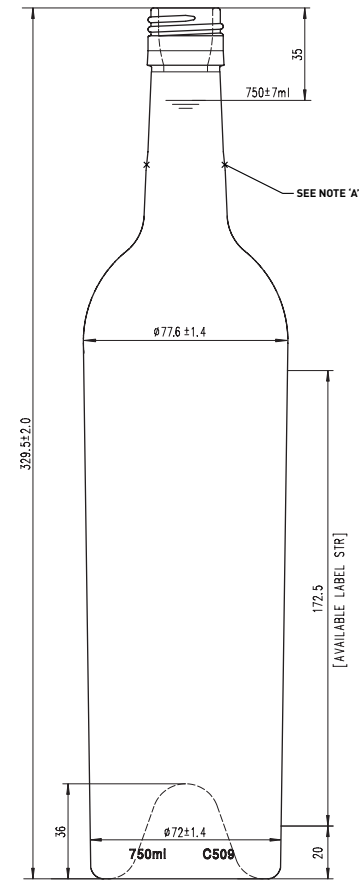
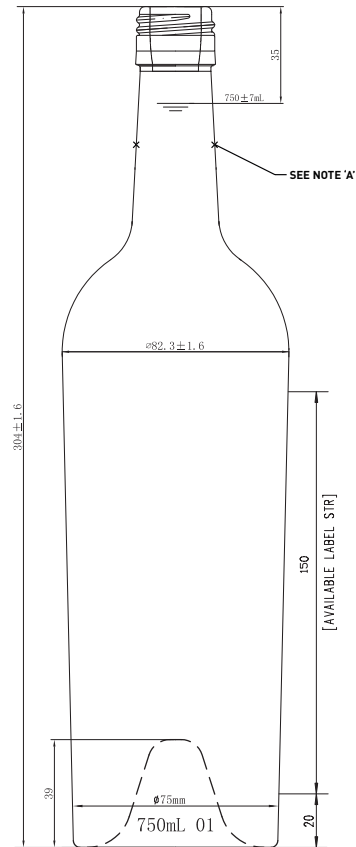
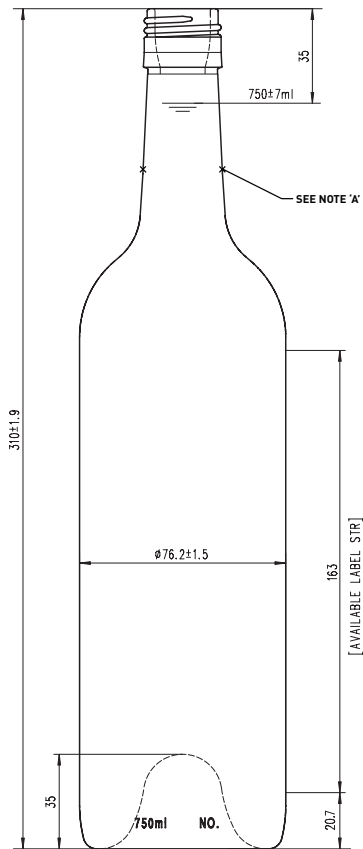
<b>Product Code:</b>	CR504
<b>Mouth Finish:</b>	BVS 30 x 60
<b>Diameter:</b>	76.3mm ± 1.5mm
<b>Height:</b>	300mm ± 1.9mm
<b>Label Panel:</b>	155mm
<b>Punt Depth:</b>	35mm
<b>Weight:</b>	540g
<b>75cl Fill Point:</b>	35mm
<b>Pallet Load:</b>	2,002
<b>Layers:</b>	7 (3 + 4)

## Bordeaux SUPERIOR (1 Litre)

<b>Product Code:</b>	CR5015
<b>Mouth Finish:</b>	BVS 30 x 60
<b>Diameter:</b>	84.5mm ± 1.6mm
<b>Height:</b>	317mm ± 1.9mm
<b>Label Panel:</b>	157mm
<b>Punt Depth:</b>	25mm
<b>Weight:</b>	550g
<b>100cl Fill Point:</b>	34mm
<b>Pallet Load:</b>	1,368
<b>Layers:</b>	6 (3 + 3)

**NOTE A:** CONTROLLED NECK & MOUTH REFER TO: DIMENSIONAL SPECIFICATIONS FOR BVS GLASS MOUTH FINISH – Norm: EN16293

# 75cl BORDEAUX<sup>2</sup>



## Bordeaux PREMIUM

<b>Product Code:</b>	CR508
<b>Mouth Finish:</b>	BVS 30 x 60
<b>Diameter:</b>	76.2mm ± 1.5mm
<b>Height:</b>	310mm ± 1.9mm
<b>Label Panel:</b>	163mm
<b>Punt Depth:</b>	35mm
<b>Weight:</b>	580g
<b>75cl Fill Point:</b>	35mm
<b>Pallet Load:</b>	2,002
<b>Layers:</b>	7 (3 + 4)

## Bordeaux VIMONE (Tapered)

<b>Product Code:</b>	CR506
<b>Mouth Finish:</b>	BVS 30 x 60
<b>Diameter:</b>	Shoulder 82.3mm / Base 75mm
<b>Height:</b>	304mm ± 1.6mm
<b>Label Panel:</b>	150mm
<b>Punt Depth:</b>	39mm
<b>Weight:</b>	670g
<b>75cl Fill Point:</b>	35mm
<b>Pallet Load:</b>	1,666
<b>Layers:</b>	7 (3 + 4)

## Bordeaux ELITE (Tapered)

<b>Product Code:</b>	CR509
<b>Mouth Finish:</b>	BVS 30 x 60
<b>Diameter:</b>	Shoulder 77.6mm / Base 72mm
<b>Height:</b>	329.5mm ± 2mm
<b>Label Panel:</b>	172.5mm
<b>Punt Depth:</b>	36mm
<b>Weight:</b>	695g
<b>75cl Fill Point:</b>	35mm
<b>Pallet Load:</b>	1,668
<b>Layers:</b>	6 (3 + 3)

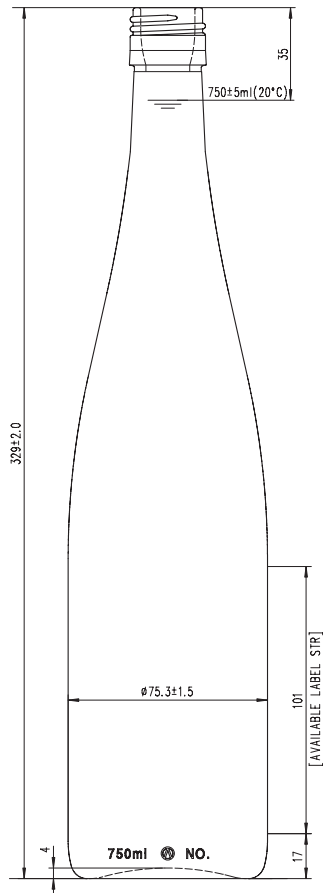
## Bordeaux RESOLUTE

<b>Product Code:</b>	CR5011
<b>Mouth Finish:</b>	BVS 30 x 60
<b>Diameter:</b>	75mm±1.5mm
<b>Height:</b>	329mm ± 2mm
<b>Label Panel:</b>	188mm
<b>Punt Depth:</b>	40mm
<b>Weight:</b>	695±25g
<b>75cl Fill Point:</b>	35mm
<b>Pallet Load:</b>	1,728
<b>Layers:</b>	6 (3 + 3)

NOTE A: CONTROLLED NECK & MOUTH REFER TO: DIMENSIONAL SPECIFICATIONS FOR BVS GLASS MOUTH FINISH – Norm: EN16293



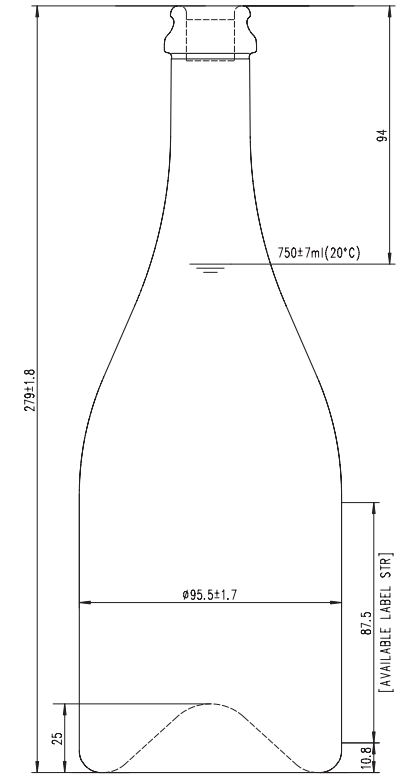
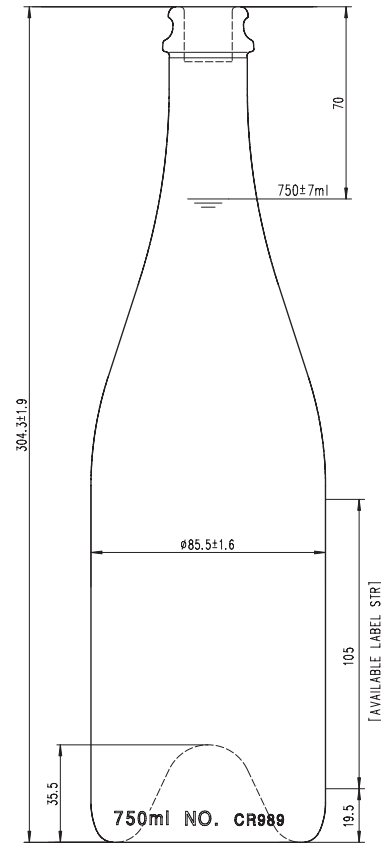
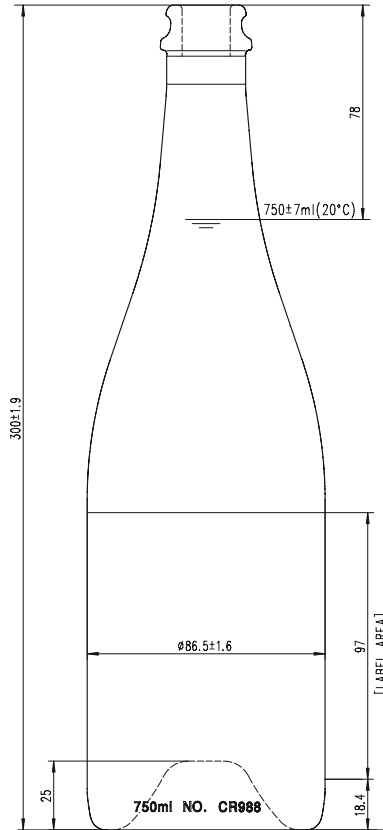
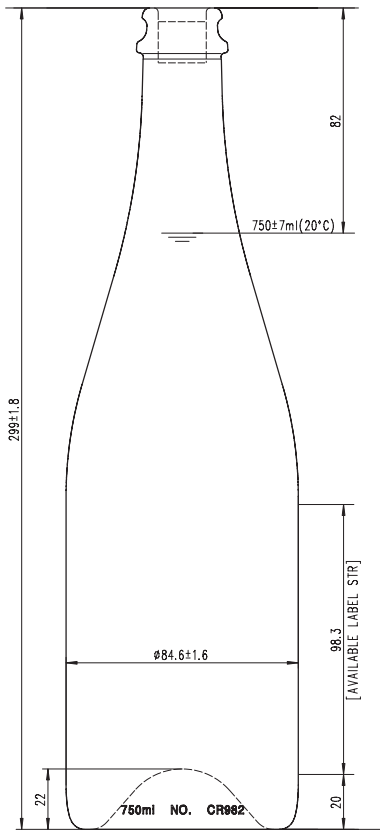
# 75cl HOCK / FLUTE



## Flute PRIMO

<b>Product Code:</b>	CR302
<b>Mouth Finish:</b>	BVS 30 x 60
<b>Diameter:</b>	75.3mm ± 1.5mm
<b>Height:</b>	329mm ± 2mm
<b>Label Panel:</b>	92mm
<b>Punt Depth:</b>	4mm
<b>Weight:</b>	320g
<b>75cl Fill Point:</b>	35mm
<b>Pallet Load:</b>	1,716
<b>Layers:</b>	6 (3+ 3)

# 75cl SPARKLING



## Sparkling CARBECO

<b>Product Code:</b>	CR982
<b>Mouth Finish:</b>	Crown 29mm
<b>Diameter:</b>	84.6mm ± 1.6mm
<b>Height:</b>	299mm ± 1.8mm
<b>Label Panel:</b>	98.3mm
<b>Punt Depth:</b>	22mm
<b>Weight:</b>	680g
<b>75cl Fill Point:</b>	82mm
<b>Pallet Load:</b>	1,568
<b>Layers:</b>	7 (3 + 4)

## Sparkling BEAUMONT

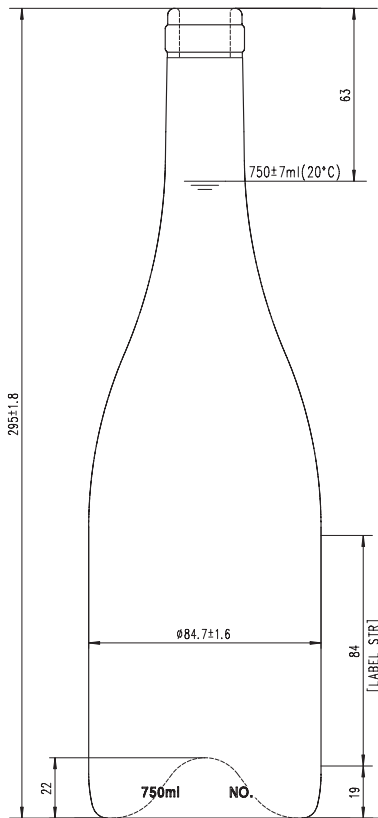
<b>Product Code:</b>	CR988
<b>Mouth Finish:</b>	Crown 29mm
<b>Diameter:</b>	86.5mm ± 1.6mm
<b>Height:</b>	300mm ± 1.9mm
<b>Label Panel:</b>	97mm
<b>Punt Depth:</b>	25mm
<b>Weight:</b>	795g
<b>75cl Fill Point:</b>	78mm
<b>Pallet Load:</b>	1,519
<b>Layers:</b>	7 (3 + 4)

## Sparkling GALLIVANT

<b>Product Code:</b>	CR989
<b>Mouth Finish:</b>	Crown 29mm
<b>Diameter:</b>	85.5mm ± 1.6mm
<b>Height:</b>	304.3mm ± 1.9mm
<b>Label Panel:</b>	105mm
<b>Punt Depth:</b>	35.5mm
<b>Weight:</b>	800g
<b>75cl Fill Point:</b>	70mm
<b>Pallet Load:</b>	1,554
<b>Layers:</b>	7 (3 + 4)

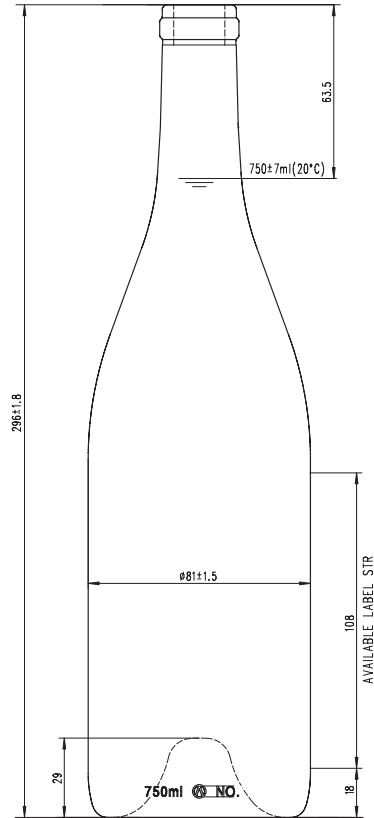
## Sparkling BRUT

<b>Product Code:</b>	CR983
<b>Mouth Finish:</b>	Crown 29mm
<b>Diameter:</b>	95.5mm ± 1.7mm
<b>Height:</b>	279mm ± 1.8mm
<b>Label Panel:</b>	87.5mm
<b>Punt Depth:</b>	25mm
<b>Weight:</b>	880g
<b>75cl Fill Point:</b>	94mm
<b>Pallet Load:</b>	1,260
<b>Layers:</b>	7 (3 + 4)



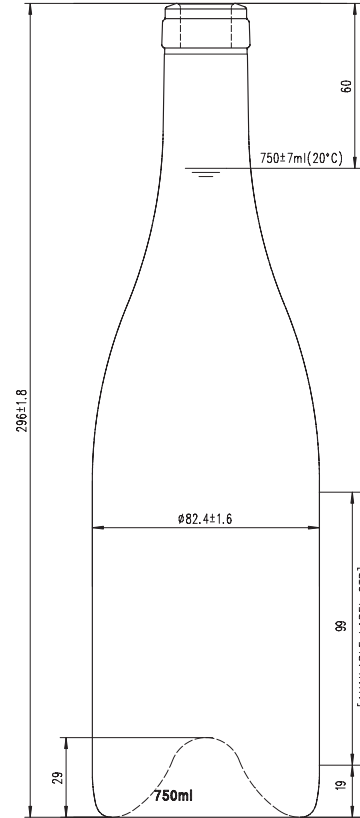
## Burgundy LUCA V

<b>Product Code:</b>	CR418
<b>Mouth Finish:</b>	Cork 29
<b>Diameter:</b>	84.7mm ± 1.6mm
<b>Height:</b>	295mm ± 1.8mm
<b>Label Panel:</b>	84mm
<b>Punt Depth:</b>	22mm
<b>Weight:</b>	512g
<b>75cl Fill Point:</b>	63mm
<b>Pallet Load:</b>	1,582
<b>Layers:</b>	7 (3 + 4)



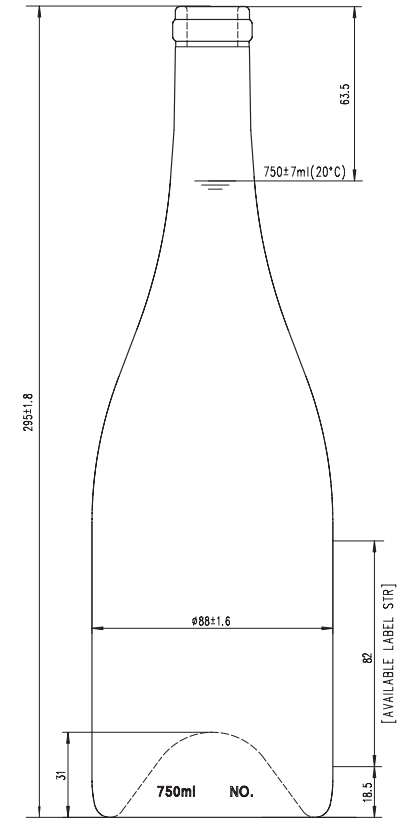
## Burgundy TRADITIONAL C

<b>Product Code:</b>	CR416
<b>Mouth Finish:</b>	Cork 29
<b>Diameter:</b>	81mm ± 1.5mm
<b>Height:</b>	296mm ± 1.8mm
<b>Label Panel:</b>	108mm
<b>Punt Depth:</b>	29mm
<b>Weight:</b>	525g
<b>75cl Fill Point:</b>	63.5mm
<b>Pallet Load:</b>	1,771
<b>Layers:</b>	7 (3 + 4)



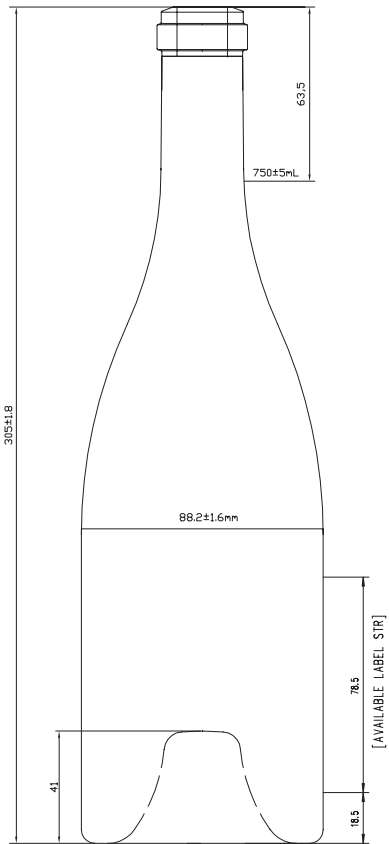
## Burgundy DALI

<b>Product Code:</b>	CR427
<b>Mouth Finish:</b>	Cork 31.5 (Careé)
<b>Diameter:</b>	82.4mm ± 1.6mm
<b>Height:</b>	296mm ± 1.8mm
<b>Label Panel:</b>	99mm
<b>Punt Depth:</b>	29mm
<b>Weight:</b>	600g
<b>75cl Fill Point:</b>	60mm
<b>Pallet Load:</b>	1,729
<b>Layers:</b>	7 (3 + 4)



## Burgundy LOLA

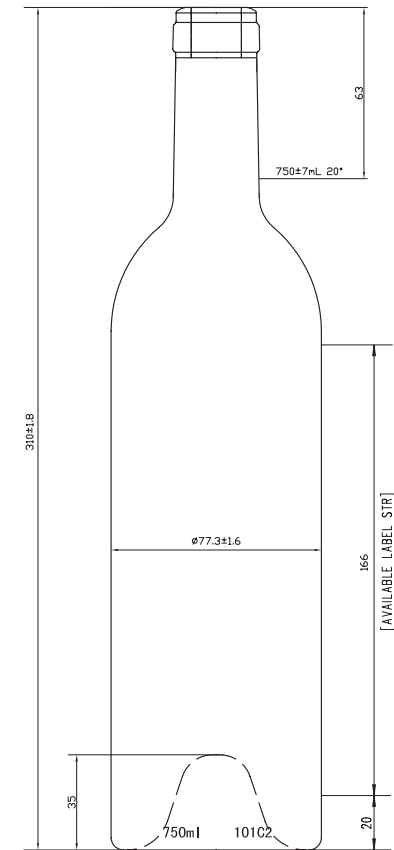
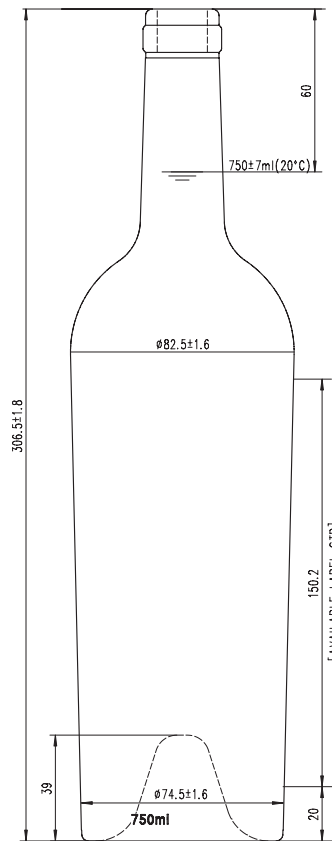
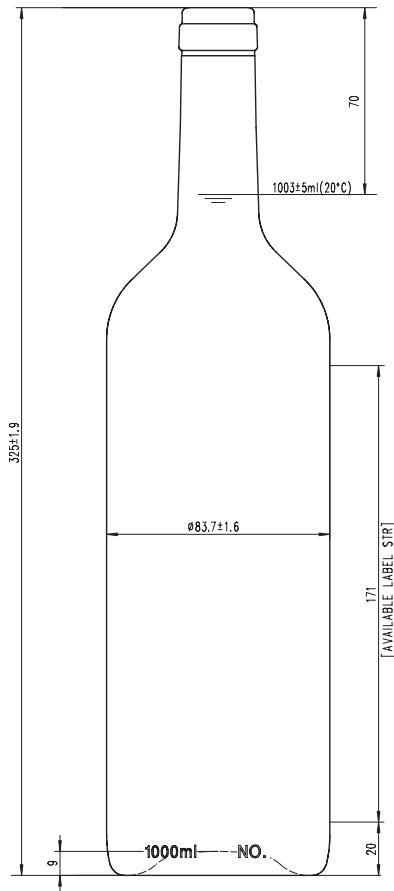
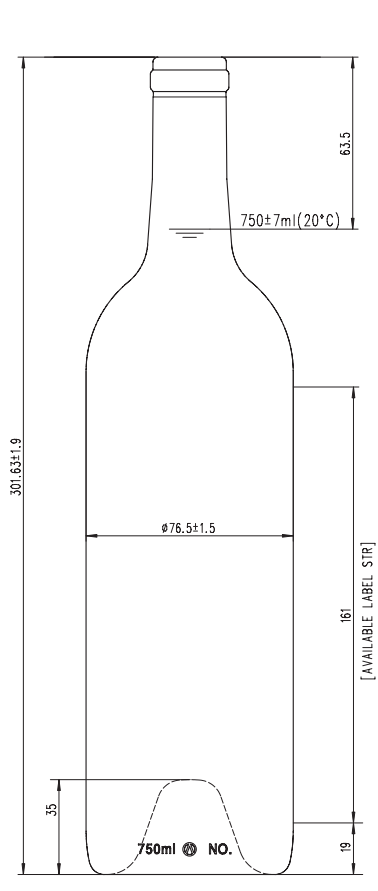
<b>Product Code:</b>	CR419
<b>Mouth Finish:</b>	Cork 29
<b>Diameter:</b>	88mm ± 1.6mm
<b>Height:</b>	295mm ± 1.8mm
<b>Label Panel:</b>	82mm
<b>Punt Depth:</b>	31mm
<b>Weight:</b>	640g
<b>75cl Fill Point:</b>	63.5mm
<b>Pallet Load:</b>	1,505
<b>Layers:</b>	7 (3 + 4)



## Burgundy MERCURE

<b>Product Code:</b>	CR426
<b>Mouth Finish:</b>	Cork 33 (Careé)
<b>Diameter:</b>	88.2mm ± 1.6mm
<b>Height:</b>	305mm ± 1.8mm
<b>Label Panel:</b>	78.5mm
<b>Punt Depth:</b>	41mm
<b>Weight:</b>	870g
<b>75cl Fill Point:</b>	63.5mm
<b>Pallet Load:</b>	1,435
<b>Layers:</b>	7 (3 + 4)

# 75cl BORDEAUX CORK<sup>1</sup>



## Bordeaux TRADITIONAL C

Product Code:	CR516
Mouth Finish:	Cork 29
Diameter:	76.5mm
Height:	301.6mm ± 2mm
Label Panel:	161mm
Punt Depth:	35mm
Weight:	540g
75cl Fill Point:	63.5mm
Pallet Load:	2,002
Layers:	7 (3 + 4)

## Bordeaux FUTURA (1 Litre)

Product Code:	CR5125
Mouth Finish:	Cork 29
Diameter:	83.7mm
Height:	325mm ± 1.9mm
Label Panel:	171mm
Punt Depth:	9mm
Weight:	595g
75cl Fill Point:	70mm
Pallet Load:	1,422
Layers:	6 (3 + 3)

## Bordeaux MEDOC (Tapered)

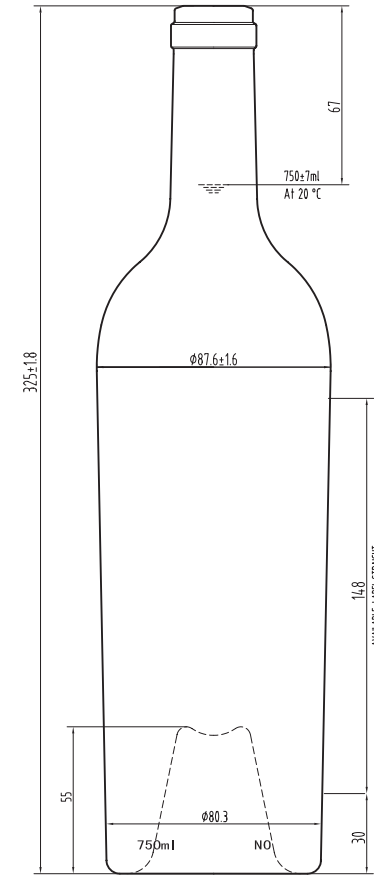
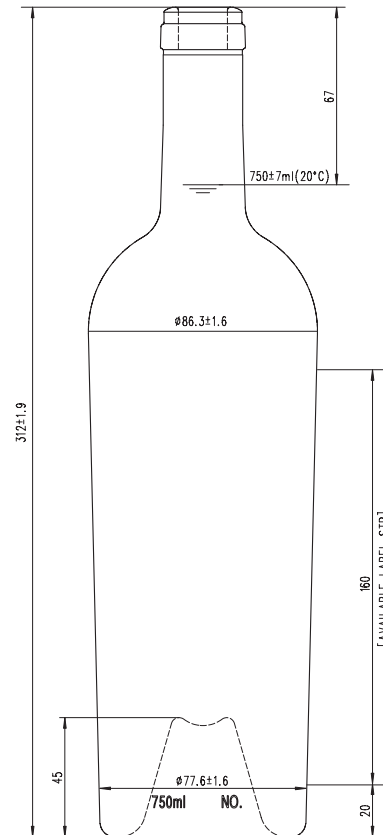
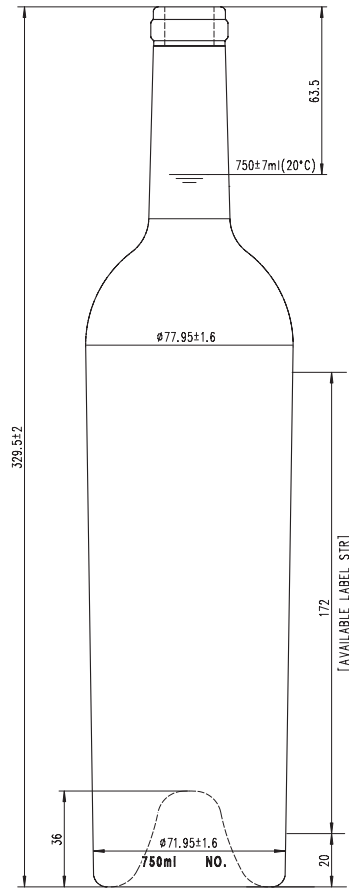
Product Code:	CR518
Mouth Finish:	Cork 29
Diameter:	Shoulder 82.5mm / Base 74.5mm
Height:	306.5mm ± 1.9mm
Label Panel:	150mm
Punt Depth:	39mm
Weight:	665g
75cl Fill Point:	60mm
Pallet Load:	1,729
Layers:	7 (3 + 4)

## Bordeaux STRATUS

Product Code:	CR527
Mouth Finish:	Cork 31.5 (Careé)
Diameter:	77.3mm
Height:	310mm
Label Panel:	166mm
Punt Depth:	35mm
Weight:	695g
75cl Fill Point:	63mm
Pallet Load:	1,981
Layers:	7 (3 + 4)



# 75cl BORDEAUX CORK<sup>2</sup>



## Bordeaux ELITE C (Tapered)

<b>Product Code:</b>	CR519
<b>Mouth Finish:</b>	Cork 29
<b>Diameter:</b>	Shoulder 77.95mm / Base 71.95mm
<b>Height:</b>	329.5mm ± 2mm
<b>Label Panel:</b>	172mm
<b>Punt Depth:</b>	36mm
<b>Weight:</b>	695g
<b>75cl Fill Point:</b>	63.5mm
<b>Pallet Load:</b>	1,560
<b>Layers:</b>	6 (3 + 3)

## Bordeaux EMPEROR (Tapered)

<b>Product Code:</b>	CR529
<b>Mouth Finish:</b>	Cork 31.5 (Careé)
<b>Diameter:</b>	Shoulder 86.3mm / Base 77.6mm
<b>Height:</b>	312mm ± 1.9mm
<b>Label Panel:</b>	160mm
<b>Punt Depth:</b>	45mm
<b>Weight:</b>	990g
<b>75cl Fill Point:</b>	67mm
<b>Pallet Load:</b>	1,554
<b>Layers:</b>	7 (3 + 4)

## Bordeaux REPENT (Tapered)

<b>Product Code:</b>	CR5212
<b>Mouth Finish:</b>	Cork 32 (Careé)
<b>Diameter:</b>	Shoulder 87.6mm / Base 80.3mm
<b>Height:</b>	325mm ± 1.8mm
<b>Label Panel:</b>	148mm
<b>Punt Depth:</b>	55mm
<b>Weight:</b>	1200g
<b>75cl Fill Point:</b>	67mm
<b>Pallet Load:</b>	1,290
<b>Layers:</b>	6 (3 + 3)



CHANDLER GLASS & PACKAGING PTY LTD

Australia & New Zealand

T: +64 9 448 1288 · E: info@chandler.co

www.chandler.co

