



# 2019 BOTTLE RANGE



## CHANDLER GLASS & PACKAGING

T: +64 9 448 1288 · E: info@chandler.co  
PO Box 303-237, North Harbour,  
Auckland 0751, New Zealand.  
www.chandler.co

### CHANDLER GLASS & PACKAGING

Chandler Glass & Packaging (Chandler) was established in 2007 to provide an alternative, reliable source of wine bottles, as well as a greater range of options. We coordinate, quality control and supply wine bottles to wine producers in the New Zealand, United States and Australia. Along with this, our aim is to provide great service and competitive pricing to New Zealand winemakers, without compromising bottle performance or visual quality.

Currently, Chandler annually coordinates the production and supply of 100+ million wine bottles for wineries within these markets and is the largest alternative supplier of wine bottles to New Zealand.

We have developed and own a proven & reliable range of BVS mouth bottles, sparkling and cork mouth bottle moulds— of varying weights and shapes. We set out to lift the consistency of wine bottle quality within the markets that we operate — especially around the controls for the BVS mouth finish and label panels. In doing so, we have encouraged improvement to the general standard of wine bottles within these markets and elevated the quality expectations of our clients.

### WHAT CHANDLER DOES

Our team of on-line quality control personnel operate 24 hours, 7 days a week, monitoring output on every production line at our manufacturer's facilities. We measure and inspect our production against well-established quality control points before the bottles are packed, eliminating the non-conformance risks commonly associated with imported glass.

Meanwhile, our experienced domestic-based team work closely with you to make sure your company receives its required products in full, at competitive prices, as and when required.

### PALLET CONFIGURATION

Bottles are packed on international sized one-way plywood pallets (1.0 x 1.2m) with a light plywood top frame. Bottles are usually supplied as a 7 layer configuration. However bottles that are greater than 318mm in height are stowed as 6 layers.



### WHAT ELSE DOES CHANDLER GLASS & PACKAGING OFFER?

Whilst we focus on delivering a competitively priced standard range of mid to heavy weight Premium BVS bottles, our other capabilities lie in the production and delivery of:-

- Premium and Super Premium (heavy) cork mouth bottles
- Bottles no longer readily available — including many cork mouth models phased out by other bottle producers
- Permanent decorations applied at source — screen printed and decal
- Embossing & Debossing logos
- Bespoke bottle shapes and design

New bottle designs, customised emboss/deboss logos or decorated bottles — order requirements are delivered via a disciplined and deliberate design and sign-off approval process, which includes:-

- Final technical drawings and packaging specifications
- Quality control parameters and tolerances (dual language)
- Pre-production sampling (for all new bottles or decoration designs)

# BESPOKE WINE BOTTLES



\*

PROPRIETARY OR  
SPECIAL SURFACE



BESPOKE FORM + SIDE  
DEBOSS BELT WITH  
EMBOSSED TEXT



SHOULDER EMBOSS TO  
STANDARD FORM



HEEL DEBOSS BELT +  
EMBOSSED TEXT

# WINE BOTTLE DECORATIONS



\*

MULTI-COLOUR  
SCREEN PRINT



SCREEN PRINT WRAP +  
HOT-FOIL STAMP



SCREEN PRINT +  
HOT-FOIL STAMP



\*

HOT TRANSFER FOIL  
& MULTI-COLOUR  
DECORATION

## BURGUNDY BVS RANGE



Burgundy  
Bambino

CR4037



Burgundy  
Legere



Burgundy  
Legere

CR404



Burgundy  
Legere



Burgundy  
Export

CR403



Burgundy  
Export



Burgundy  
Premier

CR408



Burgundy  
Traditional

CR403



Burgundy  
Avignon

CR401



Burgundy  
Avignon



Burgundy  
Grandeur

CR409

## BURGUNDY CORK RANGE



Burgundy  
Passion

CR407



Burgundy  
Alba

CR40028



Burgundy  
Prestige Magnum

CR4021



Burgundy  
Magnum Prestige



Burgundy  
Luca

CR418



Burgundy  
Traditional C

CR416



Burgundy  
Dali

CR427



Burgundy  
Lola

CR419



Burgundy  
Mercure

CR446

## FLUTE RANGE



Flute Primo



Flute Primo

CR302

## SPARKLING RANGE



Sparkling  
Carbeco

CR987



Sparkling  
Beaumont

CR958



Sparkling  
Gallivant

CR989



Sparkling  
Brut

CR983

## BORDEAUX BVS RANGE



Bordeaux  
Svelte



Bordeaux  
Svelte



Bordeaux  
Svelte

CR501



Bordeaux  
Premium Export



Bordeaux  
Premium Export

CR507



Bordeaux  
Superior

CR5105



Bordeaux  
Premium

CR508



Bordeaux  
Premium



Bordeaux  
Elite

CR509



Bordeaux  
Resolute

CR5011



Bordeaux  
Resolute

## BORDEAUX CORK RANGE



Bordeaux  
Traditional C

CR516



Bordeaux  
Medoc

CR518



Bordeaux  
Stratus

CR527



Bordeaux  
Elite C

CR519



Bordeaux  
Emperor

CR529



Bordeaux  
Repent

CR5312

# WINE BOTTLE RANGE: BOTTLING SEASON 2019



ANTIQUÉ (ANT)

FRENCH GREEN (FG)

FLINT (FLT)

AVAILABLE	CODE	DESCRIPTION	VOL ml	COLOUR(S)	MOUTH	WEIGHT	HEIGHT	DIAMETER	PLT LOAD
<b>BURGUNDY BVS</b>									
Std ANT, FG, FLT	CR404	BURGUNDY LEGERE	750	ANT, FLT, FG	BVS 30 x 60	420g	297mm	80mm	1,407
Std ANT, FG	CR403	BURGUNDY EXPORT	750	ANT, FG	BVS 30 x 60	480g	298mm	80mm	1,407
Std ANT	CR408	BURGUNDY PREMIER	750	ANT	BVS 30 x 60	555g	296mm	85.8mm	1,225
MTO	CR401	BURGUNDY TRADITIONAL	750	ANT, FG	BVS 30 x 60	555g	298mm	81.5mm	1,358
Std FLT	CR4015	BURGUNDY AVIGNON	750	ANT, FLT	BVS 30 x 60	605g	300mm	87.4 / 80.8mm	1,183
MTO	CR409	BURGUNDY GRANDEUR	750	ANT	BVS 30 x 60	675g	298mm	87mm	1,225
Std ANT	CR407	BURGUNDY PASSION	750	ANT	BVS 30 x 60	800g	299mm	88mm	1,183
MTO	CR40028	BURGUNDY ALBA	750	ANT	BVS 31.5 x 60	820g	306mm	86.2mm	1,183
Std ANT	CR4037	BURGUNDY BAMBINO	375	ANT	BVS 30 x 60	308g	242mm	66mm	2,432
Std ANT, FLT	CR4021	BURGUNDY PRESTIGE MAGNUM*	1500	ANT, FLT	BVS 30 x 60	880g	345mm	106mm	315
<b>BORDEAUX BVS</b>									
Std ANT, FG	CR501	BORDEAUX SVELTE	750	ANT, FLT, FG	BVS 30 x 60	415g	295mm	75.2mm	1,624
Std ANT, FLT	CR507	BORDEAUX PREMIUM EXPORT	750	ANT, FLT	BVS 30 x 60	510g	310mm	75.4mm	1,624
MTO	CR5015	BORDEAUX SUPERIOR*	1000	ANT, FLT	BVS 30 x 60	550g	317mm	84.5mm	1,225
Std ANT	CR508	BORDEAUX PREMIUM	750	ANT, FLT	BVS 30 x 60	580g	310mm	76.2mm	1,561
Std ANT	CR509	BORDEAUX ELITE*	750	ANT	BVS 30 x 60	695g	329mm	77.6 / 72mm	1,350
ANT, FLT	CR5011	BORDEAUX RESOLUTE*	750	ANT, FLT	BVS 30 x 60	695g	329mm	75mm	1,392
<b>HOCK / FLUTE BVS</b>									
Std ANT, FLT	CR302	FLUTE PRIMO*	750	ANT, FLT	BVS 30 x 60	475g	329mm	75.3mm	1,392

## SEE CORK RANGE ON NEXT PAGE.

Std = batch produced – standard range  
 MTO = made to order. These bottles are not normally held as inventory at the factory but please enquire. Stock is only produced if combined client orders reach the MOQ of 300,000 bottles. When reached, the delivery lead-time for this category of bottle is an additional 8 weeks to the standard range.

## Pallet Configuration

All pallets are 7 layers unless indicated with '\*'. These pallets are 6 layers.  
 Bottles are supplied on one-way international sized pallets (1.0 x 1.2m).

Please enquire to find out more. [info@chandler.co](mailto:info@chandler.co)

# WINE BOTTLE RANGE: BOTTLING SEASON 2019



ANTIQUÉ (ANT)

FRENCH GREEN (FG)

FLINT (FLT)

AVAILABLE	CODE	DESCRIPTION	VOL ml	COLOUR(S)	MOUTH	WEIGHT	HEIGHT	DIAMETER	PLT LOAD
<b>SPARKLING</b>									
MTO	CR982	SPARKLING CARBECO	750	ANT	Champagne cork	680g	299mm	84.6mm	1,225
Std ANT	CR988	SPARKLING BEAUMONT	750	ANT	Champagne cork	795g	300mm	86.5mm	1,169
Std ANT	CR989	SPARKLING GALLIVANT	750	ANT	Champagne cork	800g	304mm	85.5mm	1,229
Std ANT	CR983	SPARKLING BRUT	750	ANT	Champagne cork	880g	279mm	95.5mm	994
<b>BURGUNDY CORK MOUTH</b>									
MTO	CR418	BURGUNDY LUCA V	750	ANT	CORK 29	512g	295mm	84.7mm	1,229
MTO	CR416	BURGUNDY TRADITIONAL C	750	ANT	CORK 29	525g	296mm	81mm	1,372
MTO	CR427	BURGUNDY DALI	750	ANT	CORK CAREÉ 31.5	600g	296mm	82.4mm	1,372
MTO	CR419	BURGUNDY LOLA	750	ANT	CORK 29	640g	295mm	88mm	1,169
MTO	CR446	BURGUNDY MERCURE	750	ANT	CORK CAREÉ 33	870g	305mm	88.2mm	1,176
<b>BORDEAUX CORK MOUTH</b>									
MTO	CR516	BORDEAUX TRADITIONAL C	750	ANT	CORK 29	540g	301.6mm	76.5mm	1,575
MTO	CR518	BORDEAUX MEDOC	750	ANT	CORK 29	665g	306.5mm	82.5 / 74.5mm	1,372
MTO	CR527	BORDEAUX STRATUS	750	ANT	CORK CAREÉ 31.5	695g	310mm	77.3mm	1,491
MTO	CR519	BORDEAUX ELITE C*	750	ANT	CORK 29	695g	329.5mm	77.9 / 71.9mm	1,350
MTO	CR529	BORDEAUX EMPEROR	750	ANT	CORK CAREÉ 31.5	990g	312mm	86.3 / 77.6mm	1,054
MTO	CR5312	BORDEAUX REPENT*	750	ANT	CORK CAREÉ 32	1200g	325mm	87.6 / 80.3mm	858

There are as many as 15 additional Cork mouth bottles available.

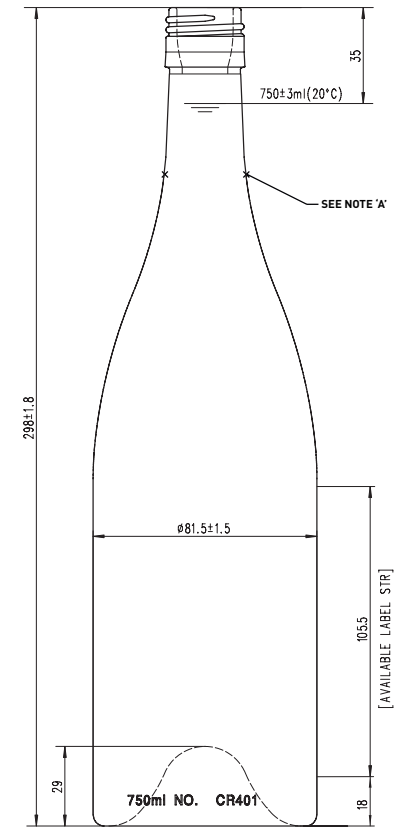
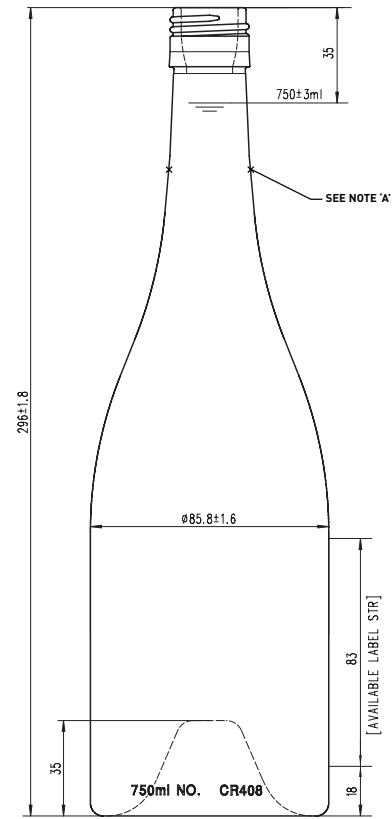
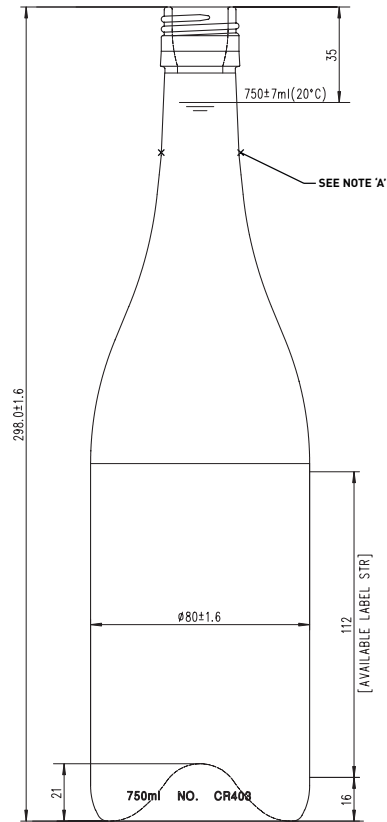
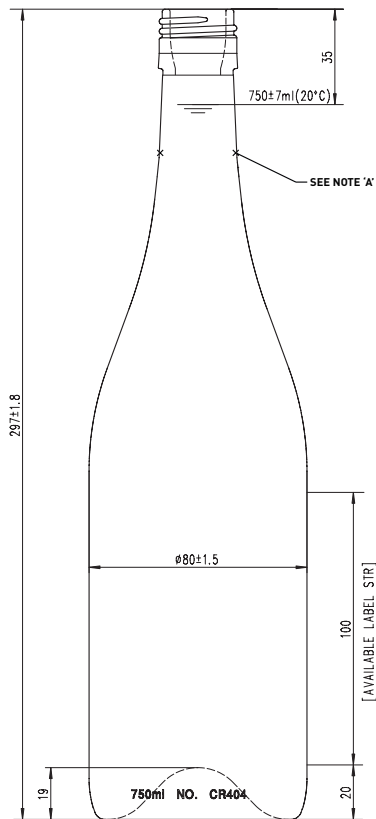
Std = batch produced – standard range  
 MTO = made to order. These bottles are not normally held as inventory at the factory but please enquire. Stock is only produced if combined client orders reach the MOQ of 300,000 bottles. When reached, the delivery lead-time for this category of bottle is an additional 8 weeks to the standard range.

## Pallet Configuration

All pallets are 7 layers unless indicated with '\*'. These pallets are 6 layers.  
 Bottles are supplied on one-way international sized pallets (1.0 x 1.2m).

Please enquire to find out more. [info@chandler.co](mailto:info@chandler.co)





## Burgundy LEGERE

<b>Product Code:</b>	CR404
<b>Mouth Finish:</b>	BVS 30 x 60
<b>Diameter:</b>	80mm ± 1.5mm
<b>Height:</b>	297mm ± 1.8mm
<b>Label Panel:</b>	100mm
<b>Punt Depth:</b>	19mm
<b>Weight:</b>	420g
<b>75cl Fill Point:</b>	35mm
<b>Pallet Load:</b>	1,407
<b>Layers:</b>	7

## Burgundy EXPORT

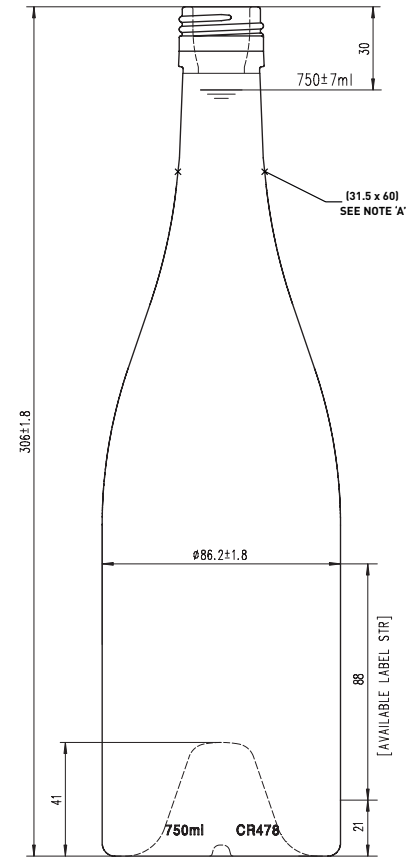
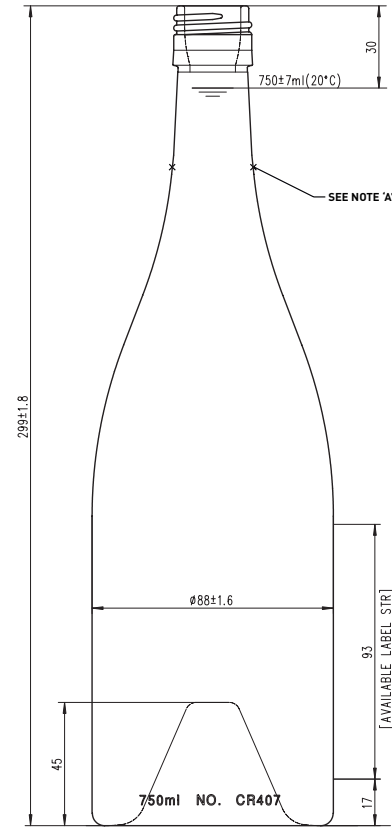
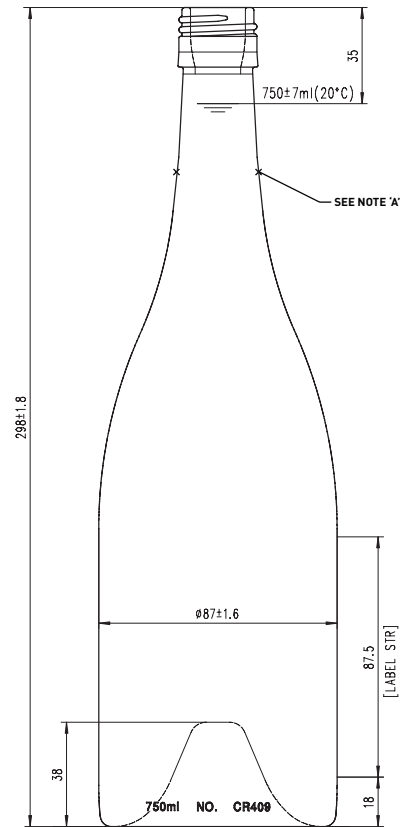
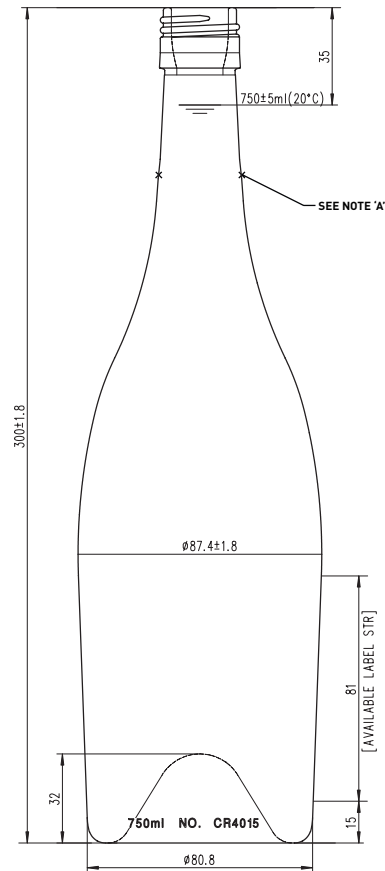
<b>Product Code:</b>	CR403
<b>Mouth Finish:</b>	BVS 30 x 60
<b>Diameter:</b>	80mm ± 1.6mm
<b>Height:</b>	298mm ± 1.6mm
<b>Label Panel:</b>	112mm
<b>Punt Depth:</b>	21mm
<b>Weight:</b>	480g
<b>75cl Fill Point:</b>	35mm
<b>Pallet Load:</b>	1,407
<b>Layers:</b>	7

## Burgundy PREMIER

<b>Product Code:</b>	CR408
<b>Mouth Finish:</b>	BVS 30 x 60
<b>Diameter:</b>	85.8mm ± 1.6mm
<b>Height:</b>	296mm ± 1.8mm
<b>Label Panel:</b>	83mm
<b>Punt Depth:</b>	35mm
<b>Weight:</b>	555g
<b>75cl Fill Point:</b>	35mm
<b>Pallet Load:</b>	1,225
<b>Layers:</b>	7

## Burgundy TRADITIONAL

<b>Product Code:</b>	CR401
<b>Mouth Finish:</b>	BVS 30 x 60
<b>Diameter:</b>	81.5mm ± 1.5mm
<b>Height:</b>	298mm ± 1.8mm
<b>Label Panel:</b>	105.5mm
<b>Punt Depth:</b>	29mm
<b>Weight:</b>	555g
<b>75cl Fill Point:</b>	35mm
<b>Pallet Load:</b>	1,358
<b>Layers:</b>	7



## Burgundy AVIGNON

Product Code:	CR4015
Mouth Finish:	BVS 30 x 60
Diameter:	87.4 / 80.8mm
Height:	300mm ± 1.8mm
Label Panel:	81mm
Punt Depth:	32mm
Weight:	605g
75cl Fill Point:	35mm
Pallet Load:	1,183
Layers:	7

## Burgundy GRANDEUR

Product Code:	CR409
Mouth Finish:	BVS 30 x 60
Diameter:	87mm ± 1.6mm
Height:	298mm ± 1.8mm
Label Panel:	87.5mm
Punt Depth:	38mm
Weight:	675g
75cl Fill Point:	35mm
Pallet Load:	1,225
Layers:	7

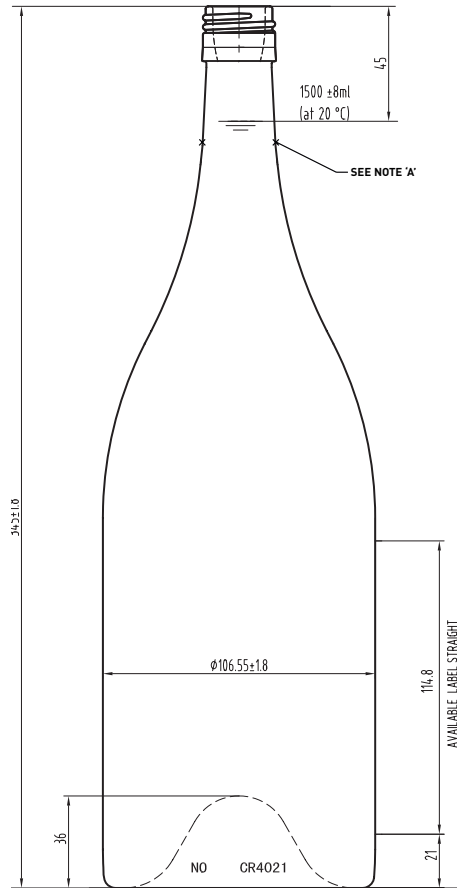
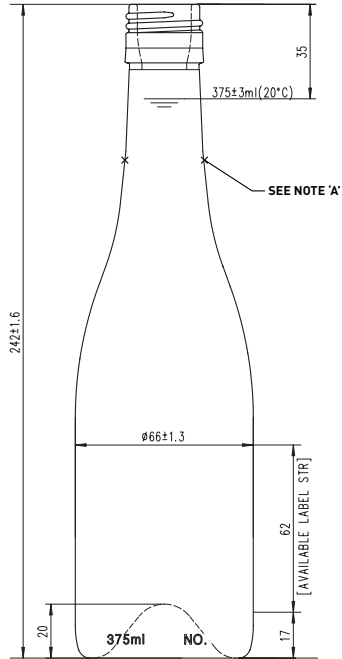
## Burgundy PASSION

Product Code:	CR407
Mouth Finish:	BVS 30 x 60
Diameter:	88.0mm ± 1.6mm
Height:	299mm ± 1.8mm
Label Panel:	93mm
Punt Depth:	45mm
Weight:	800g
75cl Fill Point:	30mm
Pallet Load:	1,183
Layers:	7

## Burgundy ALBA

Product Code:	CR40028
Mouth Finish:	BVS 31.5 x 60
Diameter:	86.2mm ± 1.8mm
Height:	306mm ± 1.8mm
Label Panel:	88mm (Ø4.5mm heel)
Punt Depth:	41mm
Weight:	820g
150cl Fill Point:	30mm
Pallet Load:	1,183
Layers:	7

# 37.5cl / 150cl BURGUNDY<sup>3</sup>



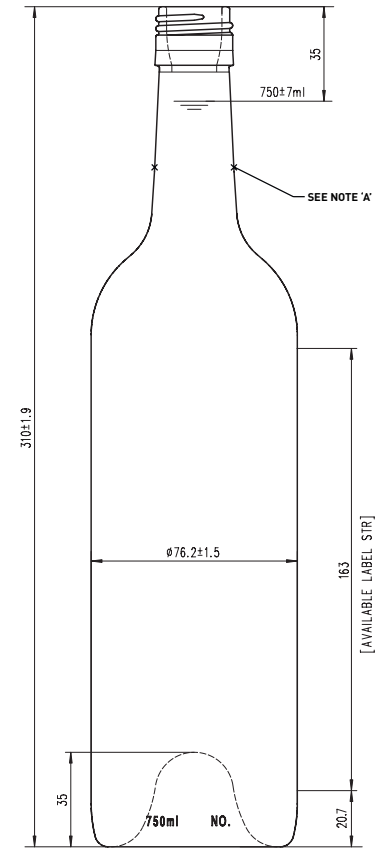
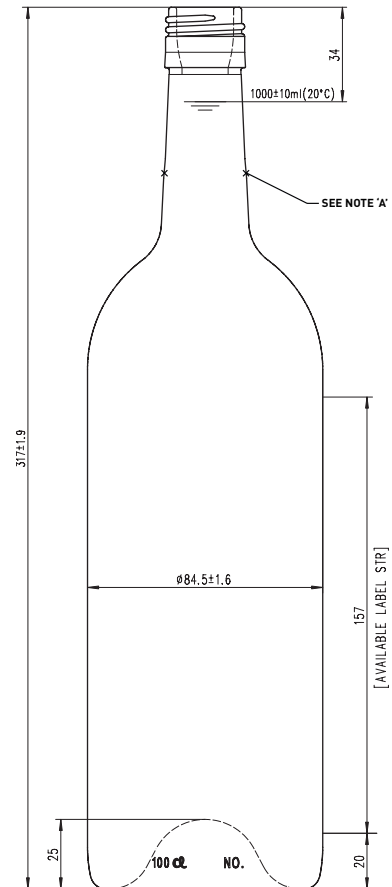
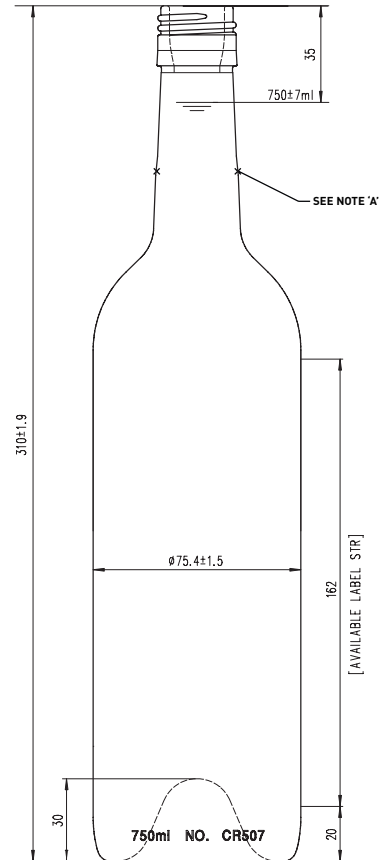
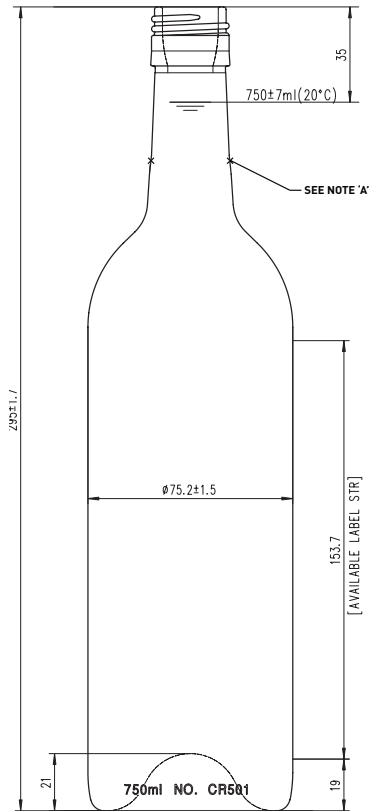
## Burgundy BAMBINO

<b>Product Code:</b>	CR4037
<b>Mouth Finish:</b>	BVS 30 x 60
<b>Diameter:</b>	66mm ± 1.3mm
<b>Height:</b>	242mm ± 1.6mm
<b>Label Panel:</b>	62mm
<b>Punt Depth:</b>	20mm
<b>Weight:</b>	308g
<b>75cl Fill Point:</b>	35mm
<b>Pallet Load:</b>	2,432
<b>Layers:</b>	8

## Burgundy PRESTIGE (Magnum)

<b>Product Code:</b>	CR4021
<b>Mouth Finish:</b>	BVS 30 x 60
<b>Diameter:</b>	106.55mm ± 1.8mm
<b>Height:</b>	345mm ± 1.8mm
<b>Label Panel:</b>	114.8mm
<b>Punt Depth:</b>	36mm
<b>Weight:</b>	880g ± 30g
<b>150cl Fill Point:</b>	45mm
<b>Pallet Load:</b>	315
<b>Layers:</b>	3

# 75cl BORDEAUX<sup>1</sup>



## Bordeaux SVELTE

<b>Product Code:</b>	CR501
<b>Mouth Finish:</b>	BVS 30 x 60
<b>Diameter:</b>	75.2mm ± 1.5mm
<b>Height:</b>	295mm ± 1.7mm
<b>Label Panel:</b>	153.7mm
<b>Punt Depth:</b>	21mm
<b>Weight:</b>	415g
<b>75cl Fill Point:</b>	35mm
<b>Pallet Load:</b>	1,624
<b>Layers:</b>	7

## Bordeaux PREMIUM EXPORT

<b>Product Code:</b>	CR507
<b>Mouth Finish:</b>	BVS 30 x 60
<b>Diameter:</b>	75.4mm ± 1.5mm
<b>Height:</b>	310mm ± 1.9mm
<b>Label Panel:</b>	162mm
<b>Punt Depth:</b>	30mm
<b>Weight:</b>	510g
<b>75cl Fill Point:</b>	35mm
<b>Pallet Load:</b>	1,624
<b>Layers:</b>	7

## Bordeaux SUPERIOR (1 Litre)

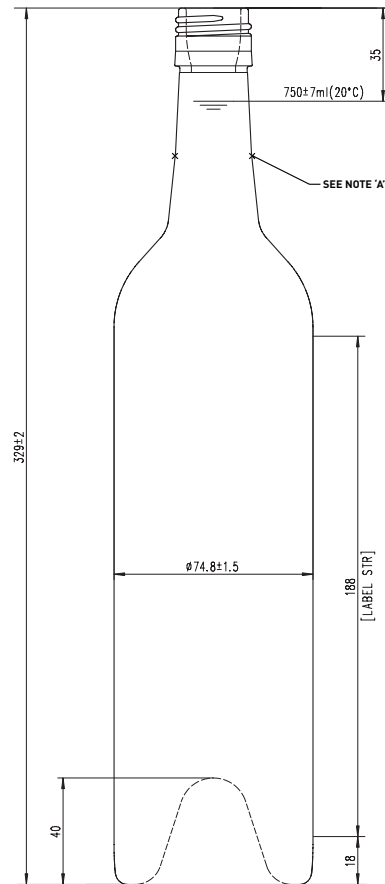
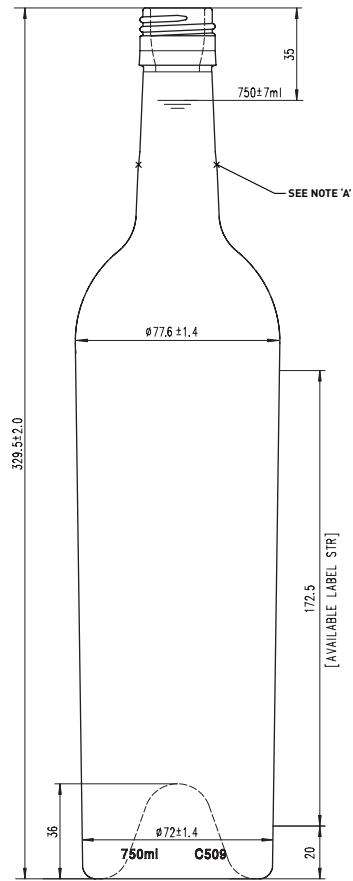
<b>Product Code:</b>	CR5015
<b>Mouth Finish:</b>	BVS 30 x 60
<b>Diameter:</b>	84.5mm ± 1.6mm
<b>Height:</b>	317mm ± 1.9mm
<b>Label Panel:</b>	157mm
<b>Punt Depth:</b>	25mm
<b>Weight:</b>	550g
<b>100cl Fill Point:</b>	34mm
<b>Pallet Load:</b>	1,225
<b>Layers:</b>	7

## Bordeaux PREMIUM

<b>Product Code:</b>	CR508
<b>Mouth Finish:</b>	BVS 30 x 60
<b>Diameter:</b>	76.2mm ± 1.5mm
<b>Height:</b>	310mm ± 1.9mm
<b>Label Panel:</b>	163mm
<b>Punt Depth:</b>	35mm
<b>Weight:</b>	580g
<b>75cl Fill Point:</b>	35mm
<b>Pallet Load:</b>	1,561
<b>Layers:</b>	7

**NOTE A:** CONTROLLED NECK & MOUTH REFER TO: DIMENSIONAL SPECIFICATIONS FOR BVS GLASS MOUTH FINISH – Norm: EN16293

# 75cl BORDEAUX<sup>2</sup>



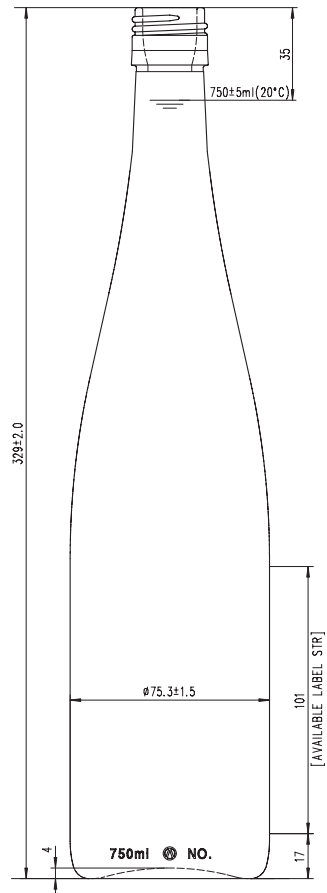
## Bordeaux ELITE (Tapered)

<b>Product Code:</b>	CR509
<b>Mouth Finish:</b>	BVS 30 x 60
<b>Diameter:</b>	Shoulder 77.6mm / Base 72mm
<b>Height:</b>	329.5mm ± 2mm
<b>Label Panel:</b>	172.5mm
<b>Punt Depth:</b>	36mm
<b>Weight:</b>	695g
<b>75cl Fill Point:</b>	35mm
<b>Pallet Load:</b>	1,350
<b>Layers:</b>	6

## Bordeaux RESOLUTE

<b>Product Code:</b>	CR5011
<b>Mouth Finish:</b>	BVS 30 x 60
<b>Diameter:</b>	75mm ± 1.5mm
<b>Height:</b>	329mm ± 2mm
<b>Label Panel:</b>	188mm
<b>Punt Depth:</b>	40mm
<b>Weight:</b>	695 ± 25g
<b>75cl Fill Point:</b>	35mm
<b>Pallet Load:</b>	1,392
<b>Layers:</b>	6

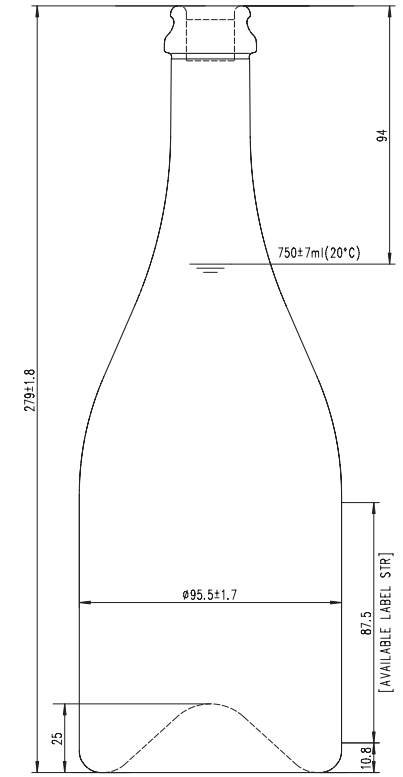
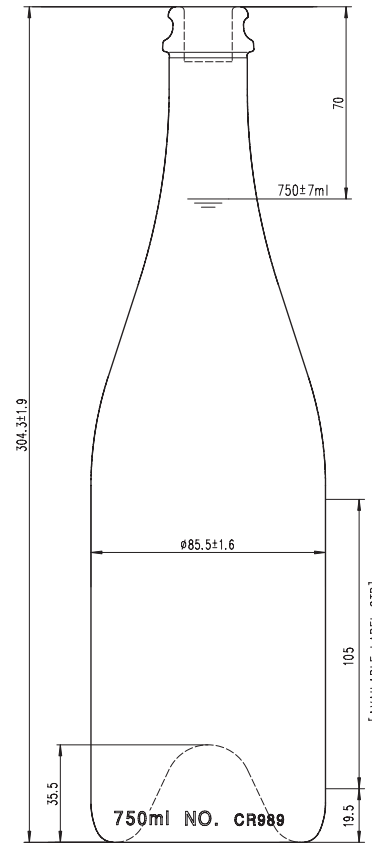
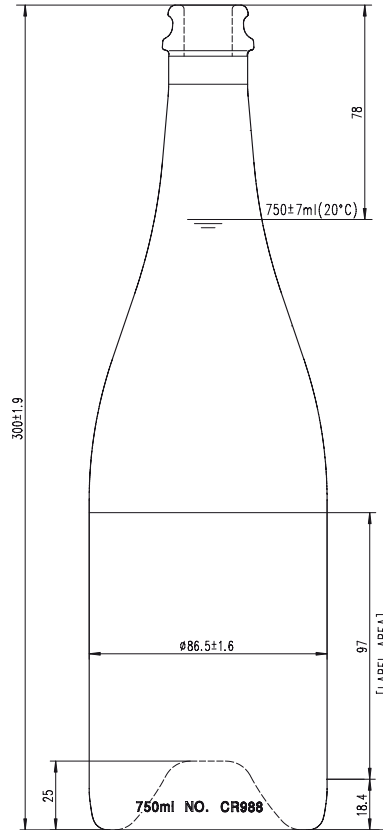
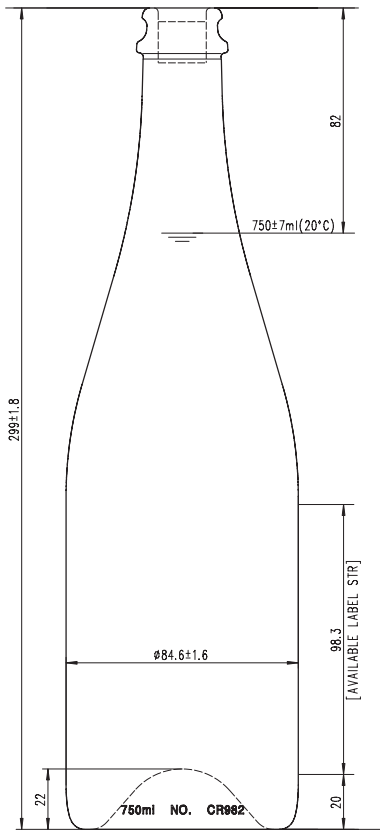
# 75cl HOCK / FLUTE



## Flute PRIMO

Product Code:	CR302
Mouth Finish:	BVS 30 x 60
Diameter:	75.3mm ± 1.5mm
Height:	329mm ± 2mm
Label Panel:	101mm
Punt Depth:	4mm
Weight:	475g
75cl Fill Point:	35mm
Pallet Load:	1,392
Layers:	6

# 75cl SPARKLING



## Sparkling CARBECO

<b>Product Code:</b>	CR982
<b>Mouth Finish:</b>	Crown 29mm
<b>Diameter:</b>	84.6mm ± 1.6mm
<b>Height:</b>	299mm ± 1.8mm
<b>Label Panel:</b>	98.3mm
<b>Punt Depth:</b>	22mm
<b>Weight:</b>	680g
<b>75cl Fill Point:</b>	82mm
<b>Pallet Load:</b>	1,225
<b>Layers:</b>	7

## Sparkling BEAUMONT

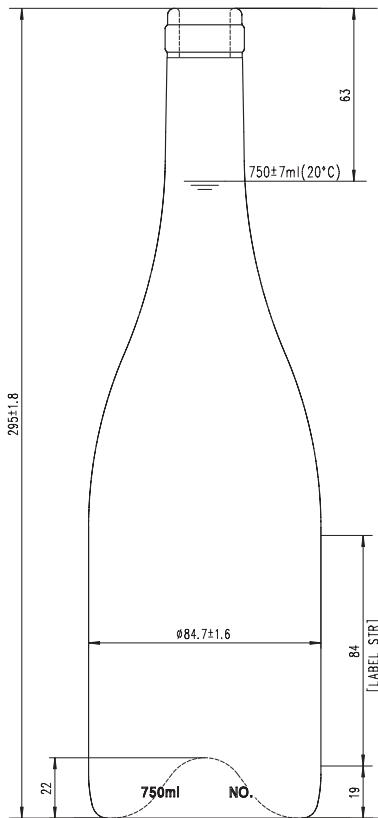
<b>Product Code:</b>	CR988
<b>Mouth Finish:</b>	Crown 29mm
<b>Diameter:</b>	86.5mm ± 1.6mm
<b>Height:</b>	300mm ± 1.9mm
<b>Label Panel:</b>	97mm
<b>Punt Depth:</b>	25mm
<b>Weight:</b>	795g
<b>75cl Fill Point:</b>	78mm
<b>Pallet Load:</b>	1,169
<b>Layers:</b>	7

## Sparkling GALLIVANT

<b>Product Code:</b>	CR989
<b>Mouth Finish:</b>	Crown 29mm
<b>Diameter:</b>	85.5mm ± 1.6mm
<b>Height:</b>	304.3mm ± 1.9mm
<b>Label Panel:</b>	105mm
<b>Punt Depth:</b>	35.5mm
<b>Weight:</b>	800g
<b>75cl Fill Point:</b>	70mm
<b>Pallet Load:</b>	1,229
<b>Layers:</b>	7

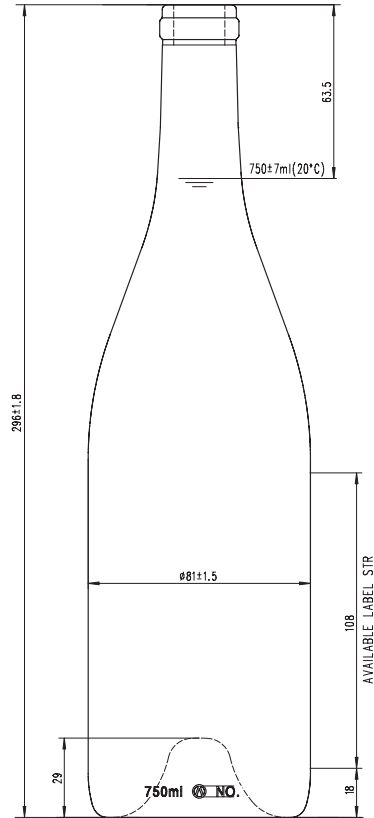
## Sparkling BRUT

<b>Product Code:</b>	CR983
<b>Mouth Finish:</b>	Crown 29mm
<b>Diameter:</b>	95.5mm ± 1.7mm
<b>Height:</b>	279mm ± 1.8mm
<b>Label Panel:</b>	87.5mm
<b>Punt Depth:</b>	25mm
<b>Weight:</b>	880g
<b>75cl Fill Point:</b>	94mm
<b>Pallet Load:</b>	994
<b>Layers:</b>	7



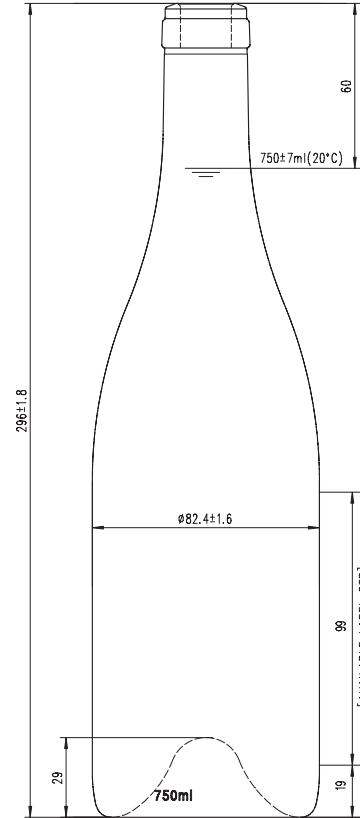
## Burgundy LUCA V

<b>Product Code:</b>	CR418
<b>Mouth Finish:</b>	Cork 29
<b>Diameter:</b>	84.7mm ± 1.6mm
<b>Height:</b>	295mm ± 1.8mm
<b>Label Panel:</b>	84mm
<b>Punt Depth:</b>	22mm
<b>Weight:</b>	512g
<b>75cl Fill Point:</b>	63mm
<b>Pallet Load:</b>	1,229
<b>Layers:</b>	7



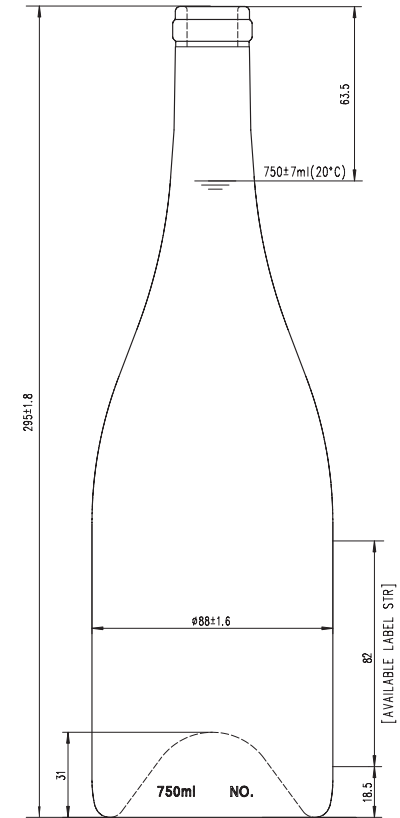
## Burgundy TRADITIONAL C

<b>Product Code:</b>	CR416
<b>Mouth Finish:</b>	Cork 29
<b>Diameter:</b>	81mm ± 1.5mm
<b>Height:</b>	296mm ± 1.8mm
<b>Label Panel:</b>	108mm
<b>Punt Depth:</b>	29mm
<b>Weight:</b>	525g
<b>75cl Fill Point:</b>	63.5mm
<b>Pallet Load:</b>	1,372
<b>Layers:</b>	7



## Burgundy DALI

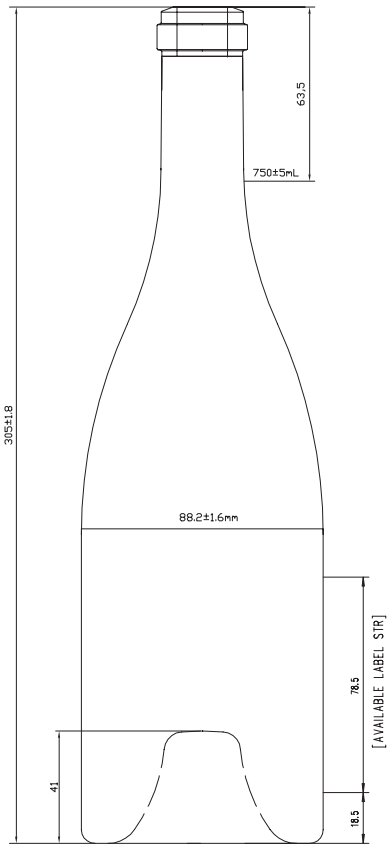
<b>Product Code:</b>	CR427
<b>Mouth Finish:</b>	Cork 31.5 (Careé)
<b>Diameter:</b>	82.4mm ± 1.6mm
<b>Height:</b>	296mm ± 1.8mm
<b>Label Panel:</b>	99mm
<b>Punt Depth:</b>	29mm
<b>Weight:</b>	600g
<b>75cl Fill Point:</b>	60mm
<b>Pallet Load:</b>	1,372
<b>Layers:</b>	7



## Burgundy LOLA

<b>Product Code:</b>	CR419
<b>Mouth Finish:</b>	Cork 29
<b>Diameter:</b>	88mm ± 1.6mm
<b>Height:</b>	295mm ± 1.8mm
<b>Label Panel:</b>	82mm
<b>Punt Depth:</b>	31mm
<b>Weight:</b>	640g
<b>75cl Fill Point:</b>	63.5mm
<b>Pallet Load:</b>	1,169
<b>Layers:</b>	7

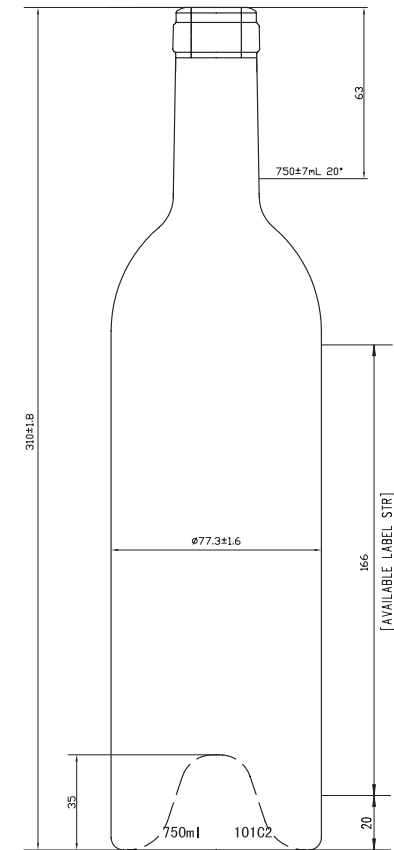
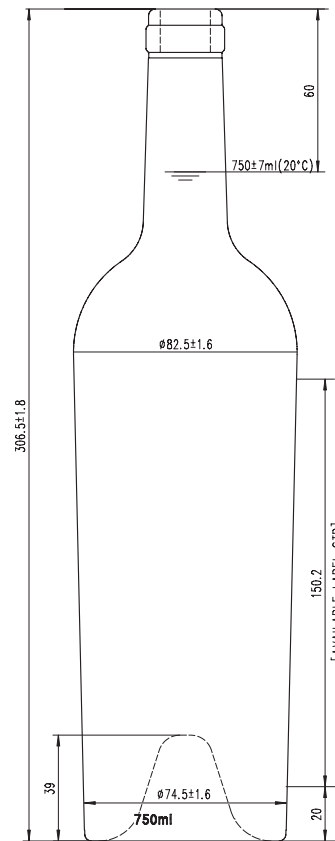
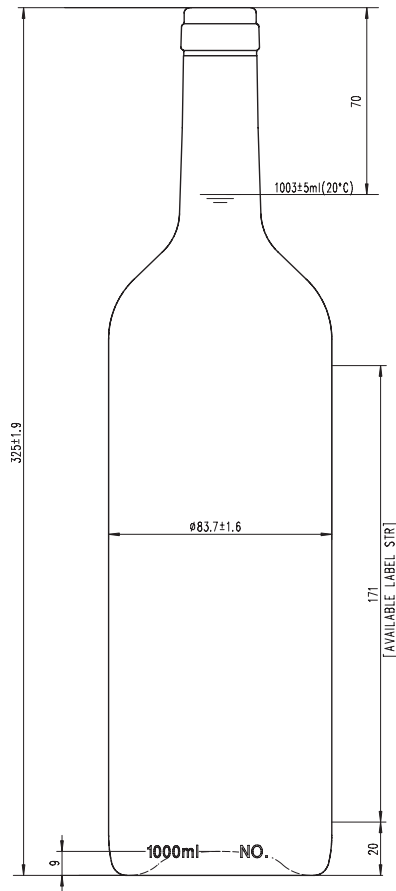
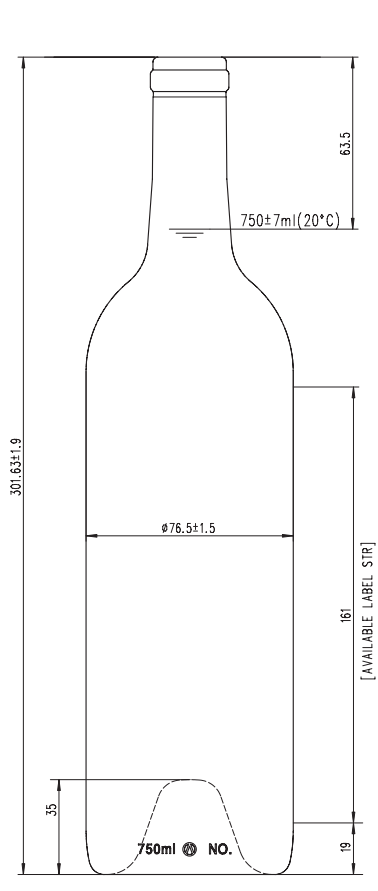




### Burgundy MERCURE

Product Code:	CR446
Mouth Finish:	Cork 33 (Careé)
Diameter:	88.2mm ± 1.6mm
Height:	305mm ± 1.8mm
Label Panel:	78.5mm
Punt Depth:	41mm
Weight:	870g
75cl Fill Point:	63.5mm
Pallet Load:	1,176
Layers:	7

# 75cl BORDEAUX CORK<sup>1</sup>



## Bordeaux TRADITIONAL C

<b>Product Code:</b>	CR516
<b>Mouth Finish:</b>	Cork 29
<b>Diameter:</b>	76.5mm
<b>Height:</b>	301.6mm ± 2mm
<b>Label Panel:</b>	161mm
<b>Punt Depth:</b>	35mm
<b>Weight:</b>	540g
<b>75cl Fill Point:</b>	63.5mm
<b>Pallet Load:</b>	1,575
<b>Layers:</b>	7

## Bordeaux FUTURA (1 Litre)

<b>Product Code:</b>	CR5125
<b>Mouth Finish:</b>	Cork 29
<b>Diameter:</b>	83.7mm
<b>Height:</b>	325mm ± 1.9mm
<b>Label Panel:</b>	171mm
<b>Punt Depth:</b>	9mm
<b>Weight:</b>	595g
<b>75cl Fill Point:</b>	70mm
<b>Pallet Load:</b>	1,080
<b>Layers:</b>	6

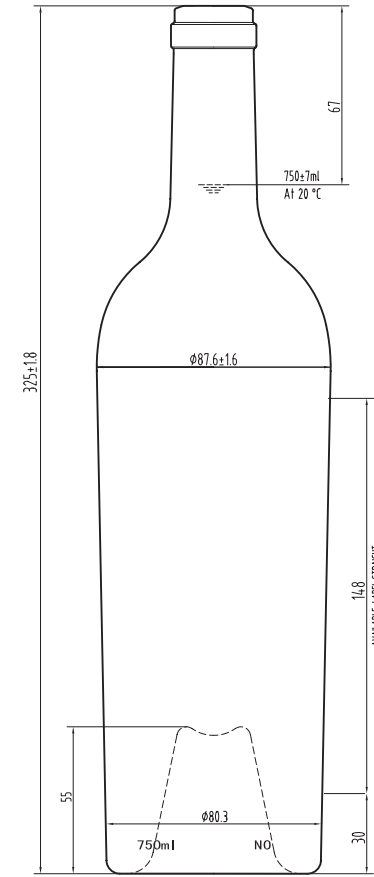
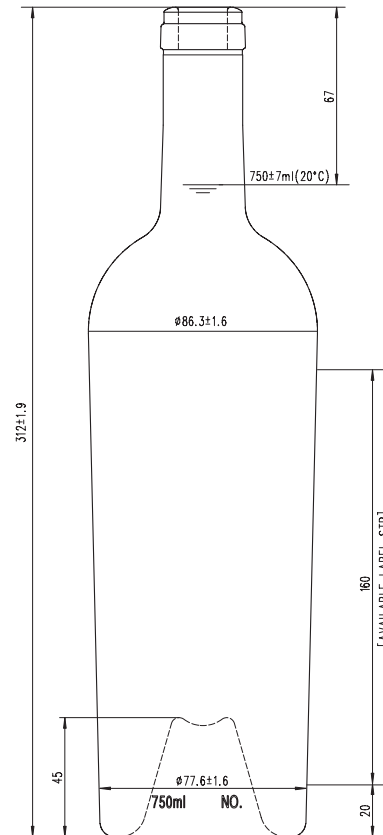
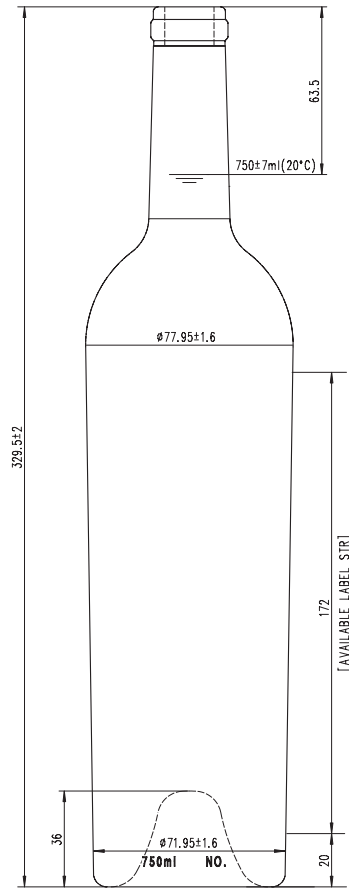
## Bordeaux MEDOC (Tapered)

<b>Product Code:</b>	CR518
<b>Mouth Finish:</b>	Cork 29
<b>Diameter:</b>	Shoulder 82.5mm / Base 74.5mm
<b>Height:</b>	306.5mm ± 1.9mm
<b>Label Panel:</b>	150mm
<b>Punt Depth:</b>	39mm
<b>Weight:</b>	665g
<b>75cl Fill Point:</b>	60mm
<b>Pallet Load:</b>	1,372
<b>Layers:</b>	7

## Bordeaux STRATUS

<b>Product Code:</b>	CR527
<b>Mouth Finish:</b>	Cork 31.5 (Careé)
<b>Diameter:</b>	77.3mm
<b>Height:</b>	310mm
<b>Label Panel:</b>	166mm
<b>Punt Depth:</b>	35mm
<b>Weight:</b>	695g
<b>75cl Fill Point:</b>	63mm
<b>Pallet Load:</b>	1,491
<b>Layers:</b>	7

# 75cl BORDEAUX CORK<sup>2</sup>



## Bordeaux ELITE C (Tapered)

<b>Product Code:</b>	CR519
<b>Mouth Finish:</b>	Cork 29
<b>Diameter:</b>	Shoulder 77.95mm / Base 71.95mm
<b>Height:</b>	329.5mm ± 2mm
<b>Label Panel:</b>	172mm
<b>Punt Depth:</b>	36mm
<b>Weight:</b>	695g
<b>75cl Fill Point:</b>	63.5mm
<b>Pallet Load:</b>	1,350
<b>Layers:</b>	6

## Bordeaux EMPEROR (Tapered)

<b>Product Code:</b>	CR529
<b>Mouth Finish:</b>	Cork 31.5 (Careé)
<b>Diameter:</b>	Shoulder 86.3mm / Base 77.6mm
<b>Height:</b>	312mm ± 1.9mm
<b>Label Panel:</b>	160mm
<b>Punt Depth:</b>	45mm
<b>Weight:</b>	990g
<b>75cl Fill Point:</b>	67mm
<b>Pallet Load:</b>	1,054
<b>Layers:</b>	6

## Bordeaux REPENT (Tapered)

<b>Product Code:</b>	CR5312
<b>Mouth Finish:</b>	Cork 32 (Careé)
<b>Diameter:</b>	Shoulder 87.6mm / Base 80.3mm
<b>Height:</b>	325mm ± 1.8mm
<b>Label Panel:</b>	148mm
<b>Punt Depth:</b>	55mm
<b>Weight:</b>	1200g
<b>75cl Fill Point:</b>	67mm
<b>Pallet Load:</b>	858
<b>Layers:</b>	6



**CHANDLER GLASS & PACKAGING**

T: +64 9 448 1288 · E: info@chandler.co  
PO Box 303-237, North Harbour,  
Auckland 0751, New Zealand.  
www.chandler.co

