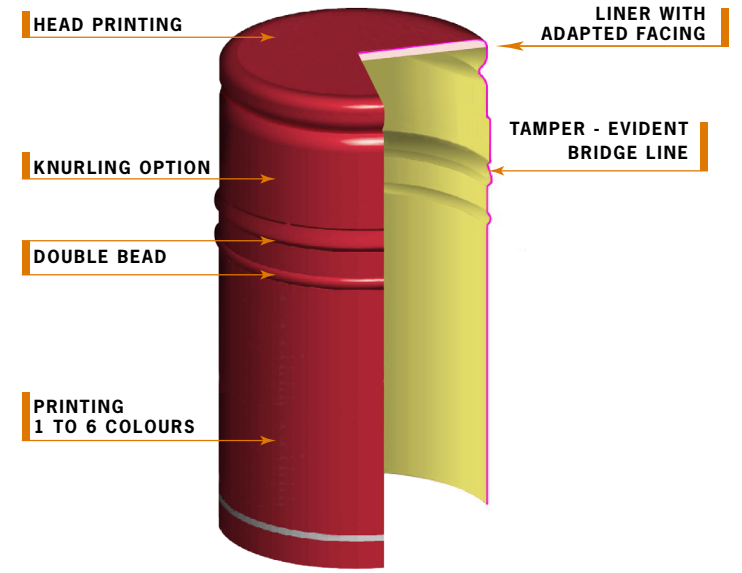
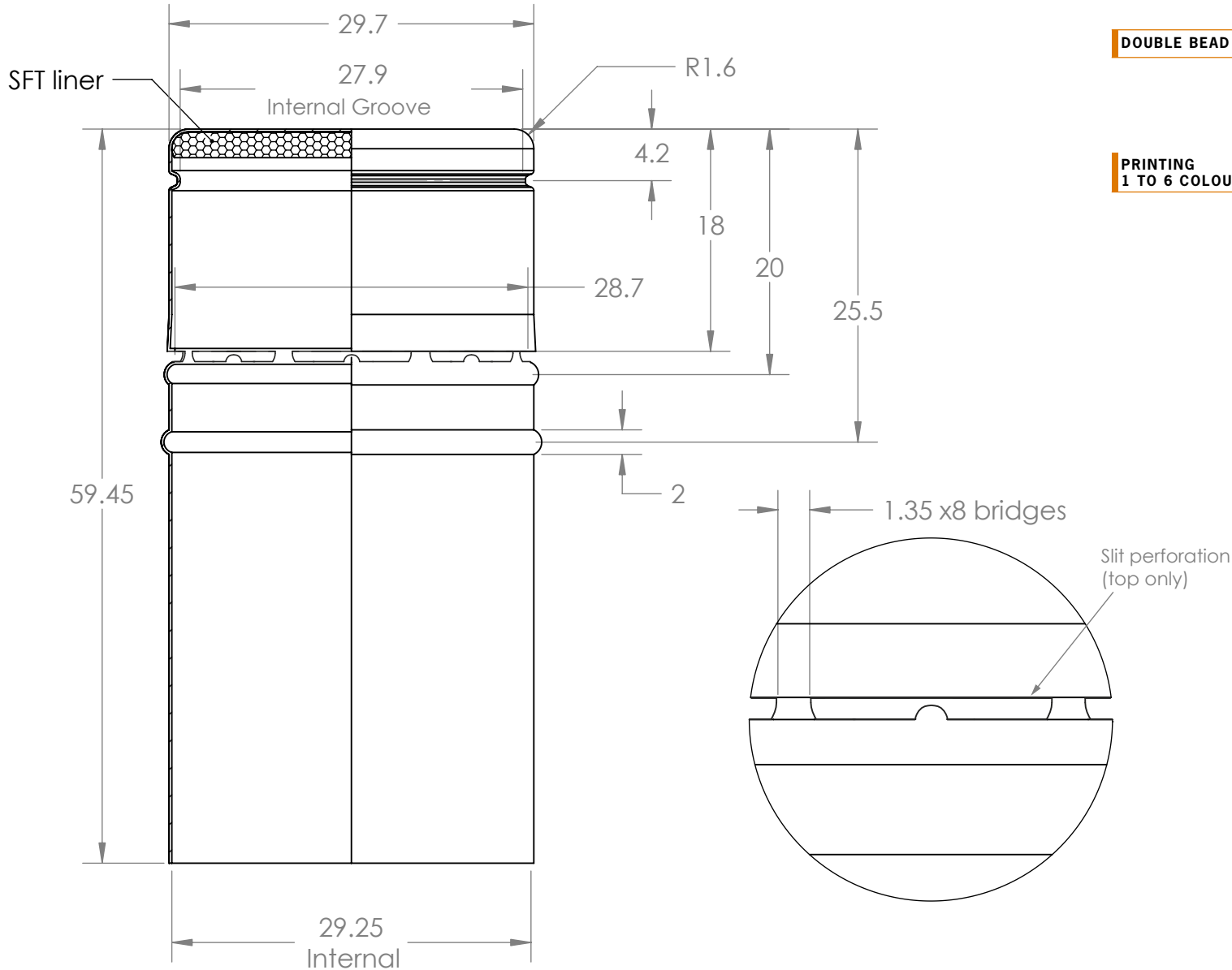


# 30x60mm LONG SKIRT CLOSURE



## SPECIFICATION FOR VCAP 30 x 60 CLOSURES

<b>SHELL</b>	30 x 60mm
Material	Alloy 8011
Gauge	0.23mm
Nominal Weight	4 grams
<b>LINER</b>	Laminated
Material	Saran-film-Tin
Manufacturer	Meyer
Thickness	2.1mm
<b>Internal LACQUER</b>	Polyester (FDA approved)
<b>APPLICATION</b>	
Pressure Block Ø	27.5mm
Redraw	1.6mm
Roller Radii	0.75mm
Side Pressure	7 to 13kg
Head Load	160 to 180kg
<b>GLASS FINISH</b>	EN 16293 (BVS 30x60)
<b>TORQUES</b>	Dry mouth finish
Slip Torque	10 to 25 Lbs x inches
Break Torque	8 to 20 Lbs x inches
<b>PACKAGING</b>	Carton
	Export carton
	Polyethylene liner bag